

## Universal Bandsaw Fences (MI-99900, MI-99901, MI-99902)

Upgrade or improve your existing bandsaw with this great add-on.



### Features:

- Powder-coated anodized aluminum
- Includes front and rear rails
- Utilizes ball bearing guides to ensure smooth and accurate adjustments
- Includes re-saw guide

### MI-99900

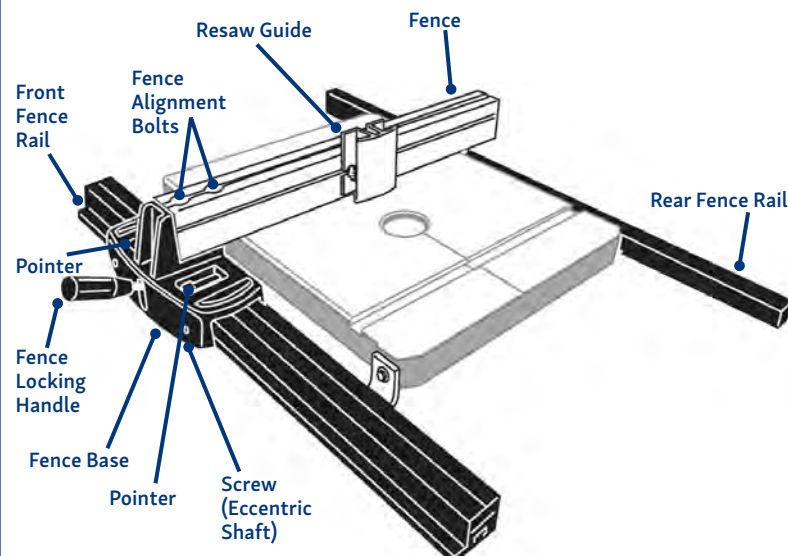
#### Specifications

Fits most 12-15" bandsaws

**Fence:** 21" (533 mm)

**Front rail:** 29" (736.6 mm)

**Rear Rail:** 25-3/4" (654 mm)



### MI-99901

#### Specifications

Fits most 12-15" bandsaws

**Fence:** 25" (635 mm)

**Front rail:** 29" (736.6 mm)

**Rear Rail:** 25-3/4" (654 mm)

### MI-99902

#### Specifications

Fits most 15-24" bandsaws

**Fence:** 28" (711 mm)

**Front rail:** 34" (863.6 mm)

**Rear Rail:** 34" (863.6 mm)