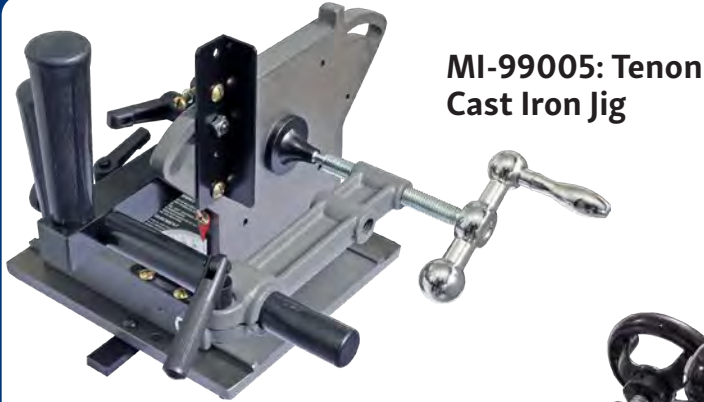


Tenoning Jigs (MI-99005, MI-99004)



MI-99004: Tenon Lightweight Aluminum Jig



A jig can help you complete repetitive tasks faster and more accurately. Both jigs tilt to 45°, which means you can perform precision mitre cuts as well as tenon joints safely with either jig. Workpiece is clamped securely while performing precision cuts. Because it helps you make precise mitre cuts and tenon joints on your table saw, Magnum Industrial's tenoning jig is a must-have addition for any woodworking shop.

A Precise & Stable Jig That Makes Your Work Easier

Features:

- Clamp arm tilts to 45° so you can make a range of mitre cuts and tenon joints
- Clamp pivots to allow quick setup on small pieces
- Clamp and handle are reversible to fit both left and right tilt table saws
- Extra-large cast base with ball bearing detents in guide bar provide a stable platform and smooth operation
- Fits standard 3/8" x 3/4" mitre slots

MI-99005: Tenon Cast Iron Jig

- Reversible: can be used on left side or side of saw blade

MI-99004: Tenon Lightweight Aluminum Jig

Specifications:

Stroke: 2.5" (64 mm)
Tilt: 90° to 45°
Vertical tilt: 90° to 30°

Max workpiece thickness: 3" (77 mm)
Weight (MI-99005): 25 lbs (11 kg)
Weight (MI-99004): 10 lbs (4.5 kg)

Typical Samples

