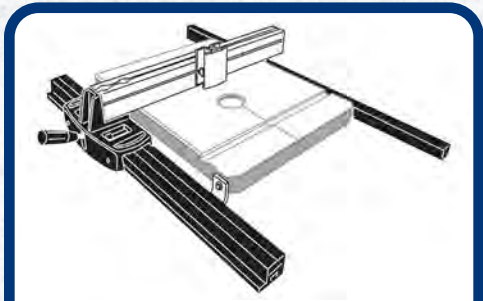


## 14" Wood Bandsaw (MI-91340)



The simple basic design of the MI-91340 Wood Bandsaw is a real workhorse with a bigger motor. It's a great addition for any custom hobby shop with a very affordable price range for a well-built machine. The bandsaw utilizes our most common standard bandsaw blade size.



*MI-99900 Deluxe Fence sold separately*

### Features:

- Dual voltage 1.5 HP main motor can be wired 220 volt for extra power if re-sawing larger boards
- Dynamically balanced wheels ensure vibration free
- Standard easy to adjust guide system
- Heavy cast iron frame ensures vibration-free operation
- Large cast iron table
- 2-speed range for resaw or non-ferrous metal cutting
- Engineered dust collection ports for maximum efficiency
- Detachable cabinet

### Specifications:

<b>Motor:</b>	1.5 HP, 120/240V, 10/5A, 60Hz	<b>Table size:</b>	16" x 16" (406 x 406 mm)
<b>Motor speed:</b>	1,630/2,730 RPM	<b>Overall dimensions (L x W x H):</b>	42" x 18" x 14" (1,067 x 457 x 355.6 mm)
<b>Max cutting width:</b>	13-5/8" (346 mm)	<b>Packaging size (L x W x H):</b>	45-1/4" x 22-7/8" x 16-1/4" (1,149 x 581 x 412.75 mm)
<b>Max cutting height:</b>	6" (152 mm)	<b>Net weight:</b>	170 lbs (77.1 kg)
<b>Blade length:</b>	93-1/2"	<b>Gross weight:</b>	183.2 lbs (83.1 kg)
<b>Blade width:</b>	1/8 x 3/4"		
<b>Cutting speed:</b>	2,275/1,345 FPM		
<b>Table rotation:</b>	0-15°L & 45°R		