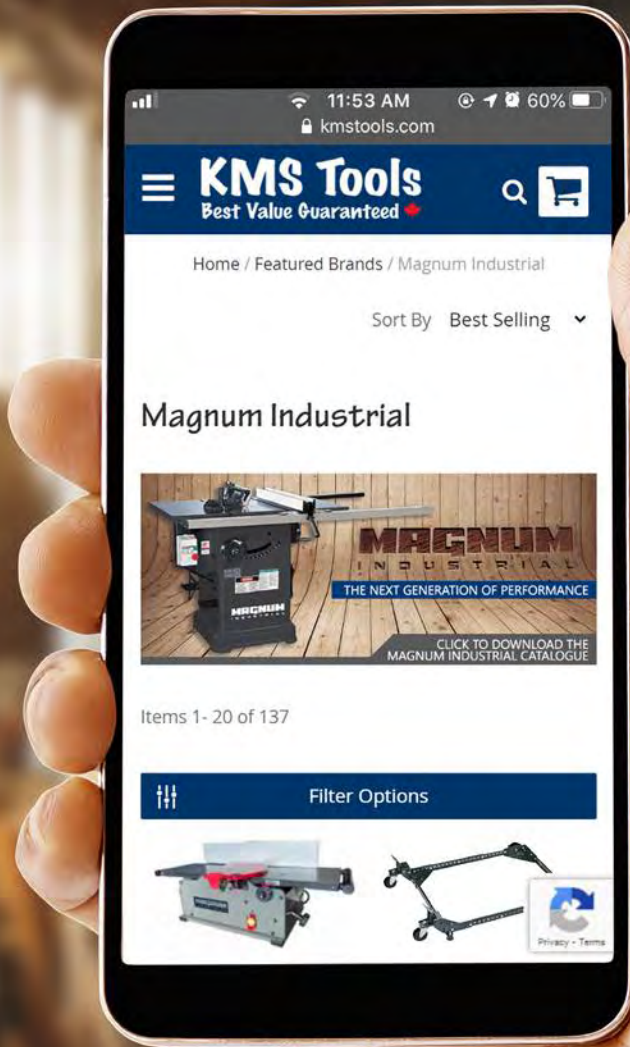


MAGNUM INDUSTRIAL



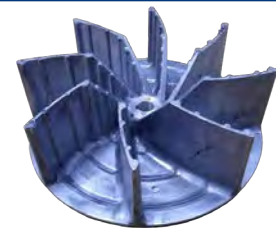
THE NEXT GENERATION OF PERFORMANCE

1 HP Continuous-Duty Dust Collector (MI-11100)



A mobile dust collector with an easy-to-clean 2 micron filter bag, the MI-11100 can be positioned close to machinery to collect and filter extra-fine dust at its source. It's the perfect dust collector for professionals and serious hobbyists working in smaller shops.

**750 CFM
Mobile Dust
Collector with
Anti-Spark
Impeller**



Anti-Spark Impeller

Features:

- Extra-quiet anti-spark impeller reduces fire risk
- Impeller shaft designed with high-quality bearings for continuous duty
- Fully enclosed continuous-duty 1 HP motor draws 7 amps
- Base-mounted motor design creates less vibration and requires fewer ductwork bends
- High-quality double-stitched 2 micron extra-fine filter bag is washable for easy maintenance
- Clear plastic bottom bag makes keeping tabs on dust levels simple
- Quick-release metal straps secure bags and allow quick bag changes
- Built-in swivel-style casters deliver excellent mobility
- Safety switch with key provides added security

Specifications:

Motor: 1 HP, 110V, 1 PH, 7A
Inlet diameter: 4" (102 mm)
Airflow capacity: 750 CFM
Impeller diameter: 10" (254 mm)
Sound level: 75 dBA

Bag diameter: 15" (381 mm)
Bag capacity: 20 gal. (90 L)
Static pressure: 6.5" of water (without bag)
Weight: 55 lbs (25 kg)

1 HP Dust Collector (MI-11150)



The MI-11150 mobile dust collector comes standard with a 1 micron canister that filters ultra-fine dust from particle board, MDF, most plastics, as well as cedar and other wood. It also has built-in swivel-style casters, so it can be positioned close to your table saw or sander to collect dust at the source. For smaller shops with one or two pieces of machinery, the MI-11150 provides both efficient dust collection and excellent filtration.

**1 Micron
Canister
Filter Traps
Ultra-Fine
Dust Particles**

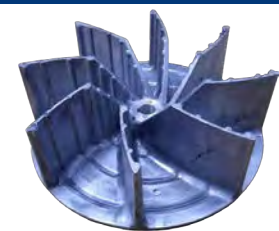
Features:

- 1 micron filter canister traps ultra-fine particles including dust from particle board, MDF, cedar and other woods, and most plastics
- Canister filter with built-in lever shaker makes cleaning easy
- Impeller shaft designed with high-quality bearings for continuous duty
- Fully enclosed continuous-duty 1 HP motor draws 7 Amps
- Clear plastic bottom bag with quick-release straps makes keeping tabs on dust levels simple
- Built-in swivel-style casters deliver excellent mobility
- Safety switch with key provides added security

Specifications:

Motor: 1 HP, 110V, 1 PH, 7A
Inlet diameter: 4" (102 mm)
Airflow capacity: 550 CFM
Impeller diameter: 10" (254 mm)
Sound level: 80 dBA

Filter area: 20.33 sq-ft
Bag diameter: 15" (381 mm)
Bag capacity: 20 gal. (90 L)
Static pressure: 6.5" of water (without bag)
Weight: 67 lbs (30 kg)



Anti-Spark Impeller

1.5 HP Dust Collector (MI-11200)



Magnum Industrial's MI-11200 dust collector delivers strong suction at a great price. Its 1.5 HP motor pulls 1,280 CFM — and can provide centralized dust collection for a small or medium-sized shop. Alternatively, with built-in swivel-style casters, you can position this dust collector near your machinery to collect dust at its source.

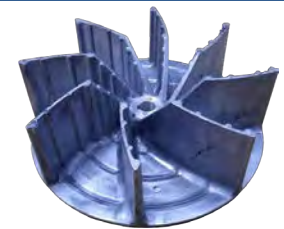


Features:

- Impeller shaft designed with high-quality bearings for continuous duty
- Fully enclosed continuous-duty 110/220 volt 1 HP motor draws 14/7 amps
- Base-mounted motor design creates less vibration and requires fewer ductwork bends
- High-quality double-stitched 2 micron filter bag traps extra-fine dust from particle board, MDF cedar and other woods, and most plastics
- Filter bag is washable for easy maintenance
- Clear plastic bottom bag makes keeping tabs on dust levels simple
- Quick-release metal straps secure bags and allow quick bag changes
- Built-in swivel-style casters deliver excellent mobility
- Safety switch with key provides added security

Specifications:

Motor:	1.5 HP, 110/220V, 1 PH, 14/7A	Bag diameter:	20" (508 mm)
Inlet diameter:	1" x 6" (152 mm) or 2" x 4" (102 mm)	Bag capacity:	42 gal. (190 L)
Airflow capacity:	1,280 CFM	Static pressure:	9" of water (without bag)
Impeller diameter:	13" (330 mm)	Weight:	107 lbs (49 kg)
Sound level:	80 dBA		



Anti-Spark Impeller

1.5 HP Dust Collector w/Canister Filter (MI-11250)



Featuring a 1.5 HP motor and 1 micron canister that filters ultra-fine dust, Magnum Industrial's MI-11250 dust collector can provide centralized dust collection for a small shop. Or take advantage of this collector's mobility: It has four swivel-style casters and can be positioned near your machinery to collect dust at its source.

**1,280 CFM
Dust Collector
with Ultra-Fine
Canister
Filter**

Features:

- Impeller shaft designed with high-quality bearings for continuous duty
- Fully enclosed continuous-duty 110/220 volt 1.5 HP motor draws 14/7 Amps
- 1 micron filter canister traps ultra-fine particles including dust from particle board, MDF, cedar and other woods, and most plastics
- Canister filter with built-in lever shaker makes cleaning easy
- Clear plastic bottom bag makes keeping tabs on dust levels simple
- Quick-release metal straps secure bags and allow quick bag changes
- Built-in swivel-style casters deliver excellent mobility
- Safety switch with key provides added security



Anti-Spark Impeller

Specifications:

Motor:	1.5 HP, 110/220V, 1 PH, 14/7A	Filter area:	80 sq-ft
Inlet diameter:	1" x 6" (152 mm) or 2" x 4" (102 mm)	Bag diameter:	20" (508 mm)
Airflow capacity:	1,280 CFM	Bag capacity:	42 gal. (190 L)
Impeller diameter:	13" (330 mm)	Static pressure:	9" of water (without bag)
Sound level:	80 dBA	Weight:	130 lbs (59 kg)

2 HP Dust Collector (MI-11300)



With a fully enclosed 2 HP motor and double-plated aluminum impeller, the MI-11300 Dust Collector has the power and durability to serve as a central dust collector for a medium-sized production shop.

**1,600 CFM
Dust Collector
w/Anti-Spark
Impeller**

Features:

- One-piece anti-spark impeller reduces fire risk
- Rugged double-plated aluminum impeller can handle larger chunks of wood
- Impeller shaft designed with high-quality bearings for continuous duty
- Fully enclosed continuous-duty 220 volt 2 HP motor draws 9 Amps
- Metal cowling connects blower to bag to increase efficiency and lower noise levels
- High-quality double-stitched 2 micron filter bag traps extra-fine dust from particle board, MDF, cedar and other woods, and most plastics
- Filter bag is washable for easy maintenance
- Clear plastic bottom bag makes keeping tabs on dust levels simple
- Quick-release metal straps secure bags and allow quick bag changes
- Built-in swivel-style casters deliver excellent mobility
- Safety switch with key provides added security



Anti-Spark Impeller

Specifications:

Motor:	2 HP, 220V, 1 PH, 9A	Bag capacity:	42 gallons (190.9 L)
Inlet diameter:	1 x 6" (152 mm) or 2 x 4" (102 mm)	Static pressure:	12" of water (without bag)
Airflow capacity:	1,600 CFM	Overall dimensions (L x W x H):	39-3/8" x 31-1/2" x 74-3/4"
Impeller diameter:	12-3/4" (323 mm)		(1,000 x 800 x 1,899 mm)
Sound level:	80-90 dBA	Weight:	132 lbs (60 kg)
Bag diameter:	20" (508 mm)		

2 HP Dust Collector w/Canister Filter (MI-11350)

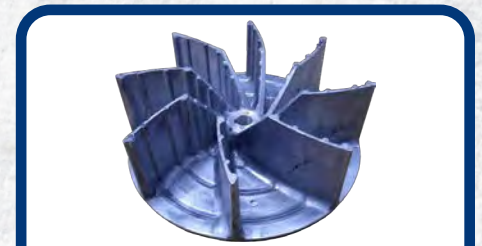


Featuring an ultra-fine 1 micron canister filter and a durable, efficient aluminum anti-spark impeller, the MI-11350 Dust Collector is designed to keep your shop clean and free of harmful dust. With a fully enclosed 2 HP motor and high-quality impeller shaft bearings, this collector is tough enough to provide a long service life in a medium-sized production shop.

**1,600 CFM
Dust Collector
w/Ultra-Fine
Canister Filter**

Features:

- Extra-quiet anti-spark impeller reduces fire risk
- Rugged double-plated aluminum impeller can handle larger chunks of wood
- Impeller shaft designed with high-quality bearings for continuous duty
- Fully enclosed continuous-duty 220 volt 2 HP motor draws 9 amps
- Metal cowling connects blower to bag to increase efficiency and lower noise levels
- 1 micron filter canister traps ultra-fine particles
- Built-in lever shaker for easy cleaning
- Clear plastic bottom bag makes keeping tabs on dust levels simple
- Quick-release metal straps secure bags and allow quick bag changes
- Built-in swivel-style casters deliver excellent mobility
- Safety switch with key provides added security



Anti-Spark Impeller

Specifications:

Motor:	2 HP, 220V, 1 PH, 9A	Bag diameter:	20" (508 mm)
Inlet diameter:	1 x 6" (152 mm) or 2 x 4" (102 mm)	Bag capacity:	42 gallons (190 L)
Airflow capacity:	1,600 CFM	Static pressure:	12" of water (without bag)
Impeller diameter:	12-3/4" (323 mm)	Overall dimensions:	39-3/8" x 31-1/2" x 74-3/4" (1,000 x 800 x 1,899 mm)
Sound level:	80 dBA	Weight:	141 lbs (64 kg)
Filter area:	80 sq-ft		

3 HP Dust Collector (MI-11400)



Delivering both power and capacity, the Magnum Industrial MI-11400 dust collector features two filter bags, two collection bags and an aluminum anti-spark impeller — driven by a fully enclosed 3 HP motor. This collector is designed to provide central dust collection for a medium-to-large production shop.

**2,300 CFM
Dust Collector
with Anti-Spark
Impeller**

Features:

- One-piece anti-spark impeller reduces fire risk
- Rugged double-plated aluminum impeller can handle larger chunks of wood
- Impeller shaft designed with high-quality bearings for continuous duty
- Fully enclosed continuous-duty 220 volt 3 HP motor draws 12 Amps
- Metal cowling connects blower to bag to increase efficiency and lower noise levels
- High-quality double-stitched 2 micron filter bag traps extra-fine dust from particle board, MDF, cedar and other woods, and most plastics
- Filter bags are washable for easy maintenance
- Clear plastic bottom bag makes keeping tabs on dust levels simple
- Quick-release metal straps secure bags and allow quick bag changes
- Built-in swivel-style casters deliver excellent mobility
- Safety switch with key provides added security



Anti-Spark Impeller

Specifications:

Motor: 3 HP, 220V, 1 PH, 12A
Inlet diameter: 1" x 7" (178 mm)
Airflow capacity: 2,300 CFM
Impeller diameter: 12" (305 mm)
Sound level: 80-95 dBA

Bag diameter: 20" (508 mm)
Bag capacity: 83 gal. (314 L)
Static pressure: 16" of water (without bag)
Weight: 165 lbs (75 kg)
Overall dimensions (L x W x H):
 60" x 32-5/8" x 76"

3 HP Dust Collector w/Canister Filters (MI-11450)



The Magnum Industrial MI-11450 Dust Collector offers the power of a fully enclosed 3 HP motor and the ultra-fine filtration capabilities of twin 1 micron canisters. It also has two storage bags, and a durable aluminum anti-spark impeller. It moves 2,300 CFM and can handle larger chunks of wood. This is the perfect dust collector for medium-to-large shops looking for suction power and excellent filtration.

**2,300 CFM
Mobile Dust
Collector with
Ultra-Fine
Canister
Filters**

Features:

- Extra-quiet anti-spark impeller reduces fire risk
- Rugged double-plated aluminum impeller can handle larger chunks of wood
- Impeller shaft designed with high-quality bearings for continuous duty
- Fully enclosed continuous-duty 220 volt 3 HP motor draws 12 amps
- Metal cowling connects blower to bag to increase efficiency and lower noise levels
- 1 micron filter canister traps ultra-fine particles including dust from particle board, MDF, cedar and other woods, and most plastics
- Built-in lever shaker for easy cleaning
- Clear plastic bottom bag makes keeping tabs on dust levels simple
- Quick-release metal straps secure bags and allow quick bag changes
- Built-in swivel-style casters deliver excellent mobility
- Safety switch with key provides added security

Specifications:

Motor: 3 HP, 220V, 1 PH, 12A
Inlet diameter: 1" x 7" (178 mm)
Airflow capacity: 2,300 CFM
Impeller diameter: 12" (305 mm)
Sound level: 80-95 dBA
Filter area: 80 sq-ft

Bag diameter: 20" (508 mm)
Bag capacity: 83 gallons (314 L)
Static pressure: 16" of water (without bag)
Overall dimensions: 61" x 21-5/8" x 74-3/4"
 (1,549 x 549 x 1,899 mm)
Weight: 222 lbs (101 kg)



Turbo Air Scrubber (MI-11600)



Because the presence of fine airborne dust particles in your workshop can contaminate spray finishes and also affect your long-term respiratory health, an ambient air filter is a worthwhile investment.

The Magnum Industrial MI-11600 turbo air scrubber is made for home workshops and small woodworking businesses. Its standard dual 1 micron filters gather the fine airborne dust particles often missed by your dust collector — and also capture dust created when hand sanding with portable electric tools. This compact, powerful air cleaner features a low-profile design to save space in shops with low ceilings.

Features:

- Standard dual 1 micron filters captures fine airborne dust particles
- Cleans air continuously while you work
- Dual filters can be washed and reused multiple times
- Three-speed fan moves up to 850 CFM
- Induction motor provides continuous operation when needed
- Heavy-duty low-profile cabinet includes steel hanging hooks



Specifications:

Motor: 1/6 HP, 120V, 1 PH, 2A
Air volume: 680, 770, 850 CFM
Filter rating: 1 micron
Filter cycle: 20 times per hour (400 sq-ft)

Noise level: 59 dBA
Dimensions: 14" x 16.5" x 10.6"
Weight: 21 lbs (9.5 kg)

Turbo Air Scrubber with HEPA Filter (MI-11650)



Because the presence of fine airborne dust particles in your workshop can contaminate spray finishes and also affect your long-term respiratory health, an ambient air filter is a worthwhile investment.

The Magnum Industrial MI-11650 turbo air scrubber with HEPA filter is made for home workshops and small woodworking businesses. It's equipped with a two-stage electrostatic HEPA filtration system that captures the finest particles and allergens as small as 0.3 microns. This ultra-fine dust is often missed by your dust collector. And since it cleans the air in your shop while you work, it continuously filters the dust and debris created when hand sanding with portable electric tools. If you want to breathe clean air in your shop, look no further than this compact, powerful unit.

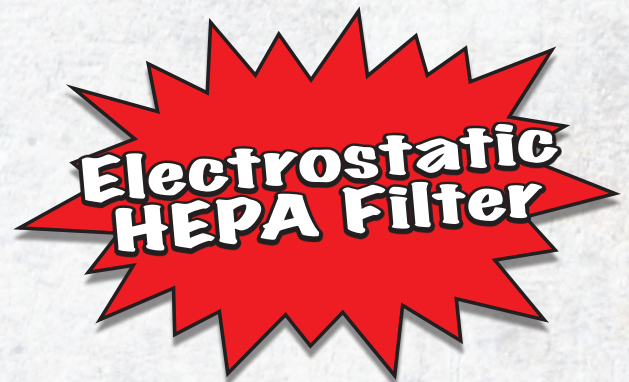
Features:

- Electrostatic HEPA two-stage filtration system cleans the air while you work
- Filters capture ultra fine dust and allergens as small as 0.3 microns
- Dual filters can be washed and reused multiple times
- Three-speed fan moves up to 850 CFM
- Induction motor provides continuous operation when needed
- Heavy-duty low-profile cabinet includes steel hanging hooks

Specifications:

Motor: 1/6 HP, 120V, 1 PH, 2A
Air volume: 680, 770, 850 CFM
Filter rating: 0.3 micron
Filter cycle: 20 times per hour (400 sq-ft)

Noise level: 59 dBA
Dimensions: 14" x 16.5" x 10.6"
Weight: 21 lbs (9.5 kg)



Turbo Overhead Air Filter (MI-11700)



Ultra-fine dust particles can sometimes escape your dust collection system or linger in the air after you've used a portable sander or power saw. These airborne particles can contaminate your spray finishing, or contribute to long-term health problems. The Magnum Industrial MI-11700 overhead air filter is an affordable way to complement your dust collector. It traps fine airborne dust particles down to 1 micron, including allergens from cedar and MDF dust, and cleans the ambient air in your shop.

Features:

- Remote control provides a 50' range, three fan speeds and a snooze delay timer
- "Simmer mode" delivers quiet ambient air filtration
- High-volume performance cleans a 20' x 20' x 8' shop up to 26 times every hour
- Dual exhaust ports flow both left and right ensuring complete circulation
- Induction motor is designed to run continuously if needed
- Pre-filter traps dust particles as small as 5 microns
- Inner filter traps dust particles as small as 1 micron
- Heavy-duty steel cabinet includes steel hanging hooks
- Low-profile design helps prevent accidental collisions in shops with low ceilings

Specifications:

Motor:	1/3 HP, 110V, 1 PH, 2.8A	Sound rating:	64 dB
Air volume (3 speeds):	700 / 900 / 1,250 CFM	Remote control distance:	50' (15.25 m)
Filter cycle (26/hr):	20' x 20' x 8' (6 x 6 x 2.44 m)	Unit size:	30" x 24" x 14" (762 x 609 x 355 mm)
Outer filter:	5 microns	Weight:	86 lbs (39 kg)
Inner filter:	1 micron		
Timer settings:	Continuous, 2, 4, 6, 8 min		

**Super Quiet
Ambient Air
Filtration**

Compact Dry-Filter Spray Booth (MI-11900)



Featuring three quick-change filters, a collapsible sanding table and a 3 HP motor that moves 3,330 CFM of air, the Magnum Industrial MI-11900 compact dry-filter spray booth is a powerful and efficient way to keep your workshop air free of overspray and sanding dust. It's perfect for cabinet makers and wood turners, or anyone who wants to improve ventilation in their educational facility, hobby shop or workshop.

**Collapsible
Design Saves
Floor Space**

Features:

- Triple filters trap contaminants and are easy to change
- Improves room air quality by filtering overspray and dust
- Controls spray from water-based paints, lacquer or sanding dust
- 12" aluminum anti-spark impeller reduces risk of fire
- Powder-coated finish and high-quality construction
- Rear outlet makes it easy to pipe exhaust outside
- CSA approved

Specifications:

Motor: 3 HP, 220V, 14.5A
CFM: 3,300 CFM
Air speeds: 3 m/s
Air delivery: 99 m³
Working area size: 40" x 48" (1,016 x 1,219 mm)

Dimensions opened: 51" x 70" x 94"
(1,295 x 1,778 x 2,387 mm)
Dimensions closed: 32" x 71" x 94"
(812 x 1,803 x 2,387 mm)
Weight: 55 lbs (25 kg)

2-Stage Cyclone Dust Collectors (MI-12250, MI-12350, MI-12450, MI-12550, MI-12553)

These Magnum Industrial 2-Stage Cyclone Dust Collectors are for small to medium sized shops where extra fine filtering is required. Our engineers focused on decibel reduction for quieter operation and still maintaining stronger performance. The Cyclone action directs the larger wood chips and particles into the quick release drum, which extends the life and efficiency of the extra fine 1 micron filter media. All models include remote control. CSA approved.

Features

- 1 micron extra-fine canister filter with manual self-cleaner lever
- Anti-spark fan mounted on continuous duty bearings for extra long life
- Remote control for quick on/off convenience
- Built-in casters for mobility -- all four are swivel type for easy moving
- Totally enclosed continuous duty motor
- Quick-release drum for easy wood chip disposal
- Magnetic safety switch to prevent motor overload and burnout
- Lower decibel design for reduced shop noise




MI-12250 1.5HP

Specifications

Motor: 1.5 HP, 110V, 1 PH, 14.5A

Inlet dia.: 1x 6" or 2x 4"

Airflow capacity: 950 CFM (1,350 CFM nominal)

Filter canister: 1 micro extra fine included

Drum: 29.61 gallon

Sound rating: 75 dB

Static pressure (without bag): 10" of water

Overall height: 5' 10"

Weight: 150 kg

Optional: MI-99121 HEPA Canister Filter



MI-12350 2HP

Specifications

Motor: 2 HP, 220V, 1 PH, 9.5A

Inlet dia.: 1x 7" or 3x 4"

Airflow capacity: 1,150 CFM (1,720 CFM nominal)

Filter canister: 1 micro extra fine included

Drum: 29.61 gallon

Sound rating: 77 dB

Static pressure (without bag): 11" of water

Overall height: 5' 10"

Weight: 172 kg

Optional: MI-99121 HEPA Canister Filter



MI-12450 3HP

Specifications

Motor: 3 HP, 220V, 1 PH, 15A

Inlet dia.: 1x 8" or 3x 4"

Airflow capacity: 2,280 CFM (2,900 CFM nominal)

Filter canister: 1 micro extra fine included

Drum: 55 gallon

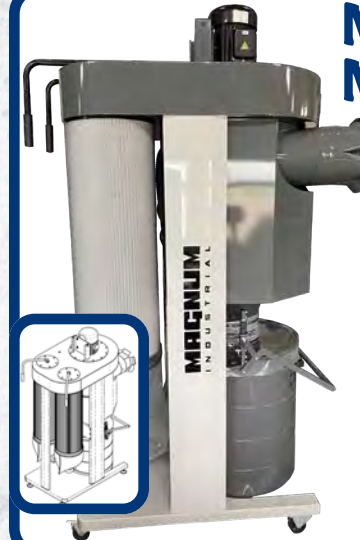
Sound rating: 79 dB

Static pressure (without bag): 12.5" of water

Overall height: 82"

Weight: 190 kg

Optional: MI-99126 HEPA Canister Filter



MI-12550 5HP MI-12553 5HP

Specifications

Motor (12550): 5 HP, 220V, 1 PH, 25A

Motor (12553): 5 HP, 220V, 3 PH, 15A

Inlet dia.: 1x 10" or 5x 4"

Airflow cpty.: 2,450 CFM (4,350 CFM nominal)

Filter canister: 2x1 micro extra fine included

Drum: 55 gallon

Sound rating: 78 dB

Static pressure (without bag): 13.5" of water

Overall height: 90.4"

Weight: 255 kg

Optional: MI-99126 HEPA Canister Filter (2 required)

Metal Dust Collector (MI-12900)



Upgrade shop safety and keep your workspace cleaner with the Magnum Industrial MI-12900 Metal Dust Collector. This unit captures and contains metal dust, chips, filings and fragments from grinders, sanders, band saws and other metalworking tools and machinery. The MI-12900 features a three-stage filter that includes a pleated filter, carbon filter and stainless steel mesh anti-spark filter. These filters can trap metal dust as small as 1 micron. Other features include easy-to-empty chip storage drawers, locking casters and a large diameter fan.

- Industrial-rated, dual voltage 1.5 hp motor drives a large 12.75" fan to deliver powerful suction
- Advanced three stage filter traps metal particles as small as 1 micron
- Dual inlet accommodates either two 4" hoses or one 6" for additional versatility
- Noise-dampening design helps limit sound levels
- Lockable swivelling casters provide easy mobility around the shop
- Sliding chip drawer and fine dust tray are easy to access and empty
- CSA approved with overload safety switch

**3-Stage Filter
Traps Dust as
Small as
1 micron**

Specifications:

Motor (pre-wired for 220V):	1.5 hp, 110/220V, 6.5/3.3A, 3,450 rpm	Inlets with wye:	2 x 4" (102 mm)
Blower wheel:	12.75" (323 mm)	Sound rating:	85 dB(A)
Airflow capacity:	755 CFM	Chip collection drawer:	17.75" x 13.5" x 7.875"
Static pressure:	8.625" of water	Fine dust tray:	4.5" x 18.5" x 3"
Filter rating:	1 micron	Overall dimensions:	19.625" x 38.25" x 43.625"
Inlet:	6" (152 mm)	Weight:	185 lbs (84 kg)

Grinder Stand with Metal Dust Collector (MI-12910)

The Magnum Industrial MI-12910 Metal Dust Collector is a space-saving, effective solution to control airborne metal dust—and help prevent health hazards created by metal dust. Its 1/2 HP motor moves up to 472 CFM of air, collecting metal debris and shavings via its 5" inlet, which is split to accommodate two connections. This unit is equipped with a non-flammable filter and easy-to-empty drawer, which holds the debris. In addition, the MI-12910 is designed to save space—it doubles as a stand and can support machinery up to 300 lbs. CSA approved.

Features

- Stand holds up to 300 lbs, so you can mount a grinder or sander onto the metal dust collector
- Easy-to-empty drawer holds filings and shavings captured by the dust collector
- Anti-spark filter media is non flammable
- Onboard storage trays provide convenient access to water or paste
- Includes filter, reducer, inlet caps, and brackets for mounting on the floor



Specifications

Motor:	1/2 HP, 115V, 1 PH, 2.8A
Motor speed:	3,450 RPM
Blower wheel diameter:	6.7"
Air flow capacity:	472 CFM
Static pressure:	2.44" of water
Inlet:	5"
Inlet with Y:	1 x 2" / 1 x 3"
Noise output:	75 dB at 10'
Filter dimensions:	6-3/4" x 2-5/8" x 13-1/2"
Filter efficiency:	90% @ 50 microns
Overall dimensions:	15-1/2" x 16" x 32-1/4"
Weight:	110 lbs

Industrial 6"/8" Bench Buffers (MI-14150, MI-14350)

These industrial buffers are designed for continuous duty and are equipped with precision bearings and balanced armatures wound with copper windings to ensure many years of trouble-free service. Keyed lock out switches CSA approved. One soft buffing pad and one hard buffing pad included.



MI-14150

Specifications

Motor:	1/2 HP, 115V, 5A
Wheel diameter:	6" (152 mm)
Arbor diameter:	1/2" (13 mm)
Arbor speed:	3,600 RPM
Weight:	17.6 lbs (8 kg)



MI-14350

Specifications

Motor:	3/4 HP, 115V, 7A
Wheel diameter:	8" (203 mm)
Arbor diameter:	5/8" (16 mm)
Arbor speed:	Variable 2,000-3,600 RPM
Weight:	25 lbs (11 kg)

Optional Accessories

Heavy-Duty Stand MI-99156

33" x 17" x 20", 44.5 kg



Benchtop Wet & Dry Grinder/Sharpener - MI-15100

**Wet & Dry
Sharpener**



Sharpen, grind and hone precise edges with the combination benchtop grinder/sharpener from Magnum Industrial. It's made for the home, garage or workshop and allows you to quickly and accurately sharpen knives, woodturning chisels, hand planes and more. This benchtop grinder/sharpener is equipped with two wheels: a vertically mounted grinding wheel and a horizontal whetstone, along with a reservoir and drain hose. The grinding wheel is 2" wide and designed for roughing out edges. The 8" whetstone spins at 400 rpm, ideal for fine honing.

Features

- One benchtop unit delivers both wet and dry sharpening
- Whetstone with built-in water reservoir and drain hose makes wet sharpening convenient and easy
- Grinding wheel features safety shield and wide 2" work area for versatility
- Adjustable tool rests for precise, repeatable and consistent results

Specifications

Motor: 0.25 HP, 115V, 2 Amps
Whetstone speed: 400 rpm
Whetstone diameter: 8" (205 mm)
Whetstone thickness: 1" (25 mm)
Whetstone arbor: 3.15" (80 mm)

Grinding wheel diameter: 5" (125 mm)
Grinding wheel diameter: 2" (50 mm)
Grinding wheel arbor: 0.5" (125 mm)
Weight: 26.5 lbs (12 kg)

6" Bench Grinder (MI-15220)



Built to last and loaded with features like precision-ground forged-steel shafts, high-speed bearings and a rugged double-insulated motor, the Magnum Industrial MI-15220 6" Bench Grinder is a workshop staple. It's rated for heavy-duty applications, so you know it's tough enough to handle a mix of metal grinding, deburring and shaping projects. It also comes equipped with a gooseneck work light, coarse and medium wheels, and safety features including eye shields and spark deflectors.

- Double-insulated motor with copper windings powers through a mix of projects
- Adjustable tool rests add versatility
- Gooseneck work light illuminates work area
- Onboard eye shields and spark deflectors enhance operator safety
- Includes medium and coarse grinding wheels

Specifications:

Motor:	1/3 HP, 120V, 1 Ph, 2 A
Wheel diameter:	6" (150 mm)
Wheel width:	3/4" (19 mm)
Arbor size:	1/2" (13 mm)
Wheel speed:	3,450 rpm
Weight:	24.25 lbs (11 kg)

**Built to
Last!**

Industrial 6"/8" Bench Grinders

(MI-15250, MI-15300, MI-15350)

These industrial grinders are designed for continuous duty and are equipped with precision bearings and balanced armatures wound with copper windings to ensure many years of trouble-free service. Each grinder comes with a coarse and fine grinding wheel and includes dust port pickups built into wheel guards CSA approved. MI-15300 special low RPM model for sharpening applications.



MI-15250

Specifications

Motor:	1/2 HP, 115V/230V, 3.5/1.75A
Wheel diameter:	6" (152 mm)
Arbor diameter:	1/2" (13 mm)
Arbor speed:	3,450 RPM
Weight:	32 lbs (14.56 kg)



MI-15300

Specifications

Motor:	3/4 HP, 110V, 6.5A
Wheel diameter:	8" (203 mm)
Arbor diameter:	5/8" (16 mm)
Arbor speed:	Low 1,800 RPM
Weight:	68 lbs (31 kg)



MI-15350

Specifications

Motor:	3/4 HP, 115V/230V, 7/3.5A
Wheel diameter:	8" (203 mm)
Arbor diameter:	5/8" (16 mm)
Arbor speed:	3,450 RPM
Weight:	66 lbs (30 kg)

Optional Accessories

Grinder Stand with Metal Dust Collector MI-12910

115V, 4.5A,
15 1/2" x 16" x 32 1/4", 50 kg

FRONT VIEW

REAR VIEW



Dual Deluxe Dust Kit MI-99155

3" x 2" hose, 3 adaptors,
6 clamps, .83 kg



Heavy-Duty Stand MI-99156

33" x 17" x 20", 44.5 kg



Industrial 10"/12" Bench Grinders (MI-15450, MI-15550)

These industrial grinders are designed for continuous duty and are equipped with precision bearings and balanced armatures wound with copper windings to ensure many years of trouble-free service. Each grinder comes with a coarse and fine grinding wheel and includes dust port pickups built into wheel guards with the deluxe dust kit included and CSA approved. Backed with our KMS Tools 5 Year Warranty.



MI-15450

Specifications

Motor:	1 HP, 115V/230V, 10/5A
Wheel diameter:	10" (254 mm)
Arbor diameter:	1" (25 mm)
Arbor speed:	1,800 RPM
Weight:	112.4 lbs (51 kg)
Switch:	Keyed toggle



MI-15550

Specifications

Motor:	2 HP, 230V, 10A
Wheel diameter:	12" (305 mm)
Arbor diameter:	1 1/4" (32 mm)
Arbor speed:	1,800 RPM
Weight:	169.8 lbs (77 kg)
Switch:	Overload protection

Optional Accessories

Grinder Stand with Metal Dust Collector MI-12910

115V, 4.5A,
15 1/2" x 16" x 32 1/4", 50 kg

FRONT VIEW

REAR VIEW



Dual Deluxe Dust Kit MI-99155 Included with 10"/12" Grinders

3" x 2" hose, 3 adaptors,
6 clamps, .83 kg



Heavy-Duty Stand MI-99156

33" x 17" x 20", 44.5 kg



Benchtop Belt Oscillating Spindle Sander (MI-16100)



The Magnum Industrial MI-16100 benchtop oscillating spindle sander is built to handle any project. With a tilting table, a powerful 1/2 HP motor and a great selection of precision-ground spindles, this benchtop unit allows you to accurately shape and sand wood, metal and plastic. It's perfect for woodworking pros, serious hobbyists and educational facilities.

**1/2 HP
Continuous
Duty Motor**

Features:

- 1/2 HP cast-iron motor is totally enclosed to protect it from dust and debris
- Heavy-duty helical gear transmission is oil-lubricated and enclosed for extremely smooth reciprocal action and reduced heat
- Drive-train features ball bearings throughout for continuous duty and consistent performance
- Includes a range of tapered spindles from 1/4" to 2", which are precision ground to minimize run-out
- Handy on-board storage for spare spindles adds convenience and efficiency to your workflow
- Table tilts up to 45° to deliver precise sanding and shaping for a variety of applications
- Cast-iron dust hood fits up to 4" hose with adapter for efficient dust collection at the source
- Keyed safety switch provides added security

Specifications:

Motor:	1/2 HP, 110V, 7.5A	Table tilt:	0° to 45°
Spindle speed:	1,720 RPM	Table height:	18-5/16" x 14-1/2" (465 x 368 mm)
Oscillations per minute:	29 OPM	Dust outlet:	2" (51 mm) with 4" adapter
Oscillation length:	15/16" (24 mm)	Base dimensions:	14-1/2" x 14-1/2" (368 x 368 mm)
Spindle sizes:	1,4" to 2"	Weight:	81 lbs (37 kg)
Table size:	14-1/2" x 14-1/2" (368 x 368 mm)		

Oscillating Spindle Sander (MI-16150)



Designed to meet the needs of light- to medium-duty production shops and educational facilities, the Magnum Industrial Oscillating Spindle Sander is an all-around sander that can handle a variety of materials. Whether you're working with wood, metal or plastic, this sander delivers both performance and durability for a range of projects, large and small.

**Continuous
Duty 1 HP
Motor**

Features:

- Delivers 75 oscillations per minute and a full 1-1/2" stroke
- Precision cast table tilts from 0° to 45°
- Includes 10 spindles (1/4" to 4"), precision taper ground to minimize spindle runout
- Heavy-duty helical geared transmission is enclosed in an oil bath gearbox and delivers smooth reciprocal action and stays cool during heavy use
- 1 HP continuous-duty motor is fully enclosed for protection from dirt, dust and debris
- Includes cast-iron dust hood and three interchangeable metal inserts for precision sanding of small pieces
- Safety switch

Specifications:

Motor:	1 HP, 110/220V, 1 PH, 10.5A	Table size:	24-1/4" x 241-1/4" (616 x 6,161 mm)
Spindle speed:	1,725 RPM	Table tilt angle:	0° to 45°
Spindles:	10 (1/4" to 4")	Table height:	39" (990 mm)
Oscillation length:	1.5" (36 mm)	Base dimensions:	117.5" x 17.5" (445 x 445 mm)
Oscillation speeds:	75 OPM	Weight:	319 lbs (145 kg)
Dust collection outlet:	4" (102 mm)		

2" x 42" Belt and 8" Disc Sander (MI-16210)



Built with sealed ball bearings and no bushings, the Magnum Industrial 2" x 42" Belt and 8" Disc Sander features a double-insulated direct-drive motor for continuous use applications. Whether you need to finish a wood project with some detailed sanding, or sharpen tools or knives around the shop, the MI-16210 is up for the task. It's a handy and affordable addition to any workshop and will sand wood, metal or plastic.

**1" & 2"
Belt
Option**

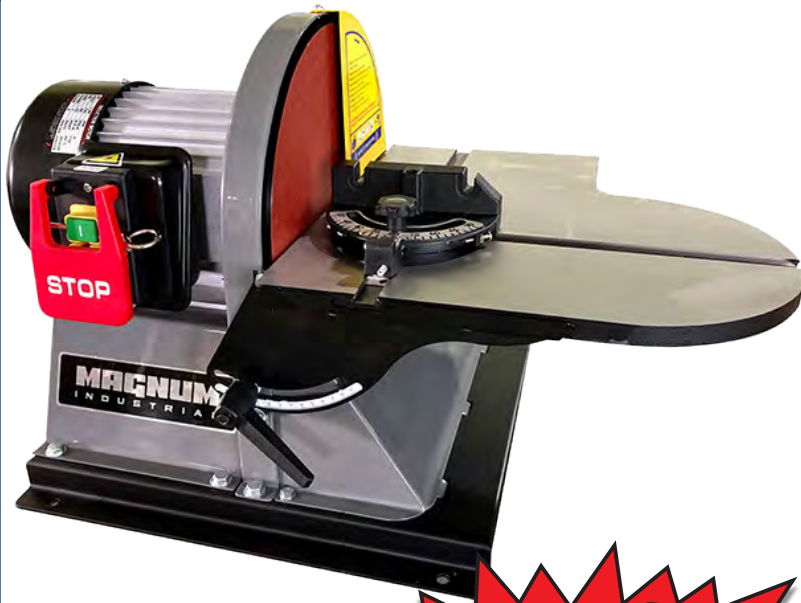
Features:

- Direct-drive double-insulated motor with sealed bearings creates less vibration and accommodates continuous applications
- Compatible with 1" x 42" belts, 2" x 42" belts and 8" discs
- Improved belt tracking mechanism provides controlled, accurate sanding
- Quick-release belt tensioner makes changing belts easy
- Tables tilt and lock (0° to 45°) for accurate sanding on an angle
- Separate dust boot for disc and belt provide efficient dust control at the source
- Switch features removable lock-out tab for added safety
- Includes mitre gauge and 1" and 2" belt platens

Specifications:

Motor:	1/2 HP, 120V, 6.2A	Belt table size:	10" x 6" (254 x 152 mm)
Belt size:	2" x 42" or 1" x 42" (50 mm or 25 x 1,066 mm)	Belt table tilt:	0° to 45°
Belt speed:	3,100 LFM	Disc table size:	10-3/4" x 7-1/2" (273 x 190 mm)
Disc size:	8" (203 mm)	Disc table tilt:	0° to 45°
Disc speed:	3,450 RPM	Weight:	61.86 lbs (28.05 kg)

Heavy-Duty 12" Disc Sander (MI-16240)



**Built-in
Brake Slows
Disc After
Shut Down**

The MI-16240 is made to efficiently sand workpieces of various shapes and sizes. Whether it's wood, plastic or metal — no problem! Simply install the right PSA disc and get started. The MI-16240 is up for the job. The Magnum Industrial Heavy-Duty 12" Disc Sander has a tilting cast-iron table with crossing mitre slots and included mitre gauge. These features make it easier to perform repeatable tasks, especially helpful for busy production shops, educational facilities and serious woodworking enthusiasts.

Safety features include a CSA-approved guard, safety interrupter switch, large STOP paddle and built-in brake that automatically slows disc rotation after the power switch is turned off.

Features:

- Cast-iron disc is precision ground, ideal for working with wood, metal and plastic
- Built-in motor brake slows disc rotation when the sander is powered off
- Burly direct-drive 1 HP motor spins disc at 1,720 RPM
- Large cast-iron table makes for a stable work surface
- Durable, precision-made bearings stand up to daily use and provide years of service
- Included mitre gauge and dual crossing slots add versatility and help ensure consistent results
- Onboard 2.5" dust port connects to your workshop's dust collection system for efficient dust control at the source
- On/off switch with large STOP paddle allows for quick, easy shut-down
- Safety interrupter switch prevents unwanted start-up
- CSA-approved safety guard covers one side for added safety
- Accepts 12" PSA discs

Specifications:

Motor: 1 HP, 120V, 1 PH, 12A
Disc diameter: 12" (305 mm)
Disc speed: 1,720 RPM
Table tilt: 15° to -45°

Dust port: 2.5" (63.5 mm)
Base dimensions: 16.5" x 16.5" (419 mm to 419 mm)
Weight: 99 lbs (45 kg)

Benchtop Belt Sander/Grinder (MI-16250)



Grinding, deburring, sanding, sharpening and more, this benchtop belt sander/grinder offers versatile and reliable performance. It's an asset for any workshop. The MI-16250 Benchtop Belt Sander/Grinder features a sanding belt that pivots from 0 to 60 degrees, and locks in at any angle in between. In addition, the 8" grinding wheel spins at 3,450 RPM, so you can finish metal, sharpen tools and more.

**Sand, Grind,
Sharpen &
More!**

Features:

- Fan-cooled 3/4 HP motor is fully enclosed to keep out dust and debris
- Sanding belt locks in vertical and horizontal positions or any angle in between
- Grinding wheel excels in a variety of metal grinding applications
- CSA-approved safety features include belt guard, eye-shield and spark guard
- Quick-release belt tensioner and tracking mechanism makes adjustments easy
- Built-in 2" dust collection port keeps work area clear
- Includes 60 grit sanding belt and 8" grinding wheel

Specifications:

Motor:	3/4 HP, 115/230V, 7/3.5A	Arbor:	5/8" (15.8 mm)
Sanding belt size:	2" x 48" (50.8 mm x 1,219 mm)	Table size:	2-3/4" x 4-1/4" (69.8 mm x 108 mm)
Max belt speed:	4,500 FPM	Belt tilt:	0° to 60°
Wheel diameter:	8" (203 mm)	Dust collection port:	2" (50.8 mm)
Max wheel speed:	3,450 RPM	Weight:	35 lbs (15.9 kg)

Heavy-Duty Belt & Disc Sander (MI-16300, MI-16303)



Magnum Industrial's heaviest belt and disc sander, this machine delivers 1,800 RPM and tons of torque — perfect for wood and metal sanding applications in professional production shops and schools. This sander is available with two different motors (see specs below) and features thick cast-iron tables, a cast-iron backing disc and an enclosed stand.

**Sands
Metal &
Wood**

Features:

- Direct-drive 1.5 HP motor delivers loads of power and minimal vibration
- Safety features include a steel disc shield and overload warning lights
- Dust collection port features separate boots for disc and belt for efficient dust control
- Cast-iron backing disc provides durability and precision
- Super thick cast-iron tables deliver long service life
- Upgraded belt-tracking mechanism
- Belt tilts and locks at any angle for versatility and user comfort
- Totally enclosed stand stabilizes sander and allows extra storage
- Quick-release belt tensioner makes belt changes easy
- Keyed safety switch for added security

Specifications:

Motor (MI-16300): 1.5 HP, 110/220V, 1 PH, 13/6.5A

Motor (MI-16303): 1.5 HP, 220V, 3 PH, 4.4A*

*compatible with 208 volt power supply

Belt size: 6" x 48" (152 x 1,219 mm)

Disc diameter: 12" (305 mm)

Belt speed: 2,300 LFM

Disc speed: 1,800 RPM

Belt table tilt: 0° and 45°

Disc table tilt: 45° outside

Belt position: Multi-angle

Disc backing plate: Cast iron

Dust port: 4" (101.6 mm)

Base dimensions: 15.75" x 22" (400 x 559 mm)

Weight: 370 lbs (167.8 kg)

Heavy-Duty Belt Sander (MI-16320, MI-16323)



The Magnum Industrial Heavy-Duty Belt Sander is our heaviest 6" x 48" belt sander. Its 2,470 FPM belt speed makes this unit ideal for wood and metal sanding applications in production shops and schools. Extra safety features include improved dust collection and safety guards.

**For Metal
& Wood**

Features:

- Direct drive motor shaft for full power and less vibration
- Cast iron platen for precision and durability
- New improved belt tracking mechanism
- Belt tilts and locks any angle for versatility and user comfort
- Very thick cast iron tables for durability
- Totally enclosed stand for stability and extra storage
- Quick-release belt tension makes changeover easy
- Safety keyed switch

Specifications:

Motor (MI-16320): 1 HP, 110V, 1 PH, 12A
with safety toggle switch
Motor (MI-16323): 1 HP, 220/208V, 3 PH, 3A
with magnetic safety switch
Belt speed: 2,470 FPM
Belt size: 6" x 48" (152.4 x 1,219 mm)

Dust chute: 2.5" (63.5 mm)
Table tilt: 15° down, 45° up
Belt tilt: 0 to 90°
Overall dimensions: 19.7" x 15.7" x 29"
(500 x 400 x 740 mm)
Shipping weight: 88.2 lbs (40 kg)

6" x 89" Edge Sander with Tilting Head (MI-16400)



Designed for production shops, serious hobbyists and school workshops, the Magnum Industrial MI-16400 Edge Sander with Tilting Head is versatile, precise, durable and easy to use. Compatible with wood, metal and plastic.

**Versatile &
Accurate
Tilting Head**

Features:

- 1-1/2 HP cast-iron motor is fully enclosed to keep out dust and debris
- Head tilts horizontally and vertically and can be locked at any angle
- Precision steel plate is polished and coated in graphite
- Includes lockable cast-iron mitre gauge
- Quick-release belt tensioner for easy adjustments and belt changes
- Includes steel end table that's more durable than wood end tables
- Stand features vibration-absorbing pads to provide stable, smooth operation
- Keyed safety switch provides added security

Specifications:

Motor:	1-1/2 HP, 110/220V, 18/9A	Auxiliary table:	9-7/8" x 11-7/8" (250 x 300 mm)
Belt size:	6" x 89" (152 x 2,260 mm)	Dust outlet:	4" (102 mm)
Belt speed:	3,900 LFM	Dimensions:	50" x 21" x 49" (1,270 x 533 x 1,245 mm)
Front table size:	9-7/8" x 29-5/8" (250 x 751 mm)	Weight:	275 lbs (123 kg)

6" x 108" Edge Sander (MI-16500)



The Magnum Industrial MI-16500 6" x 108" edge sander is versatile and accurate. It is loaded with features including balanced 7" drums, an adjustable table, and a powerful 2 HP motor. This commercial-duty edge sander is designed to perform an array of sanding applications and to handle the demands of any workshop environment.

**Versatile
Commercial
Duty Edge
Sander**

Features:

- 2 HP cast-iron motor is fully enclosed to keep out dust and debris
- Table tilts, raises, and lowers to access the entire surface of the sanding belt
- 7" diameter drums are balanced for easy tracking
- Precision steel plate is polished and coated in graphite
- Hinged dust hood accommodates extra-long pieces
- End table for sanding curves
- Enclosed steel stand provides stable platform
- Includes magnetic safety switch

Specifications:

Motor:	2 HP, 220V, 1 PH, 14A	Dust outlet:	4" (102 mm)
Belt size:	6" x 108" (152 mm x 2,743 mm)	Overall dimensions:	62" x 20-1/2" x 41" (1,575 x 521 x 1,041 mm)
Belt speed:	3,150 LFM	Footprint:	42" x 16-1/2" (1,067 mm x 419 mm)
Main table size:	7-3/4" x 37" (152 mm x 2,743 mm)	Weight:	462 lbs (210 kg)
Aux. table size:	11-3/4" x 19" (299 mm x 483 mm)		

17" Drum Sander (MI-16710)



The MI-16710 Drum Sander is for fine finishing after planer operations. Multiple light passes are required to achieve excellent results. For small to medium sized shops, this sander is ideal for hardwoods. Designed and engineered to highest standards with an impressive fit and finish, you will be pleased at the overall construction and features on this machine. This sander is not suitable for planing long heavy planks.

**Cast Iron
Table With
Industrial
Feed Mat**

Features:

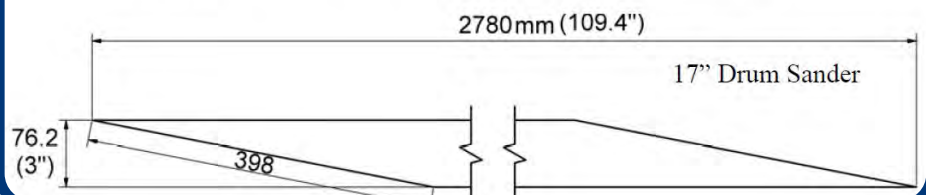
- Cast iron table
- Fully variable speed feed matt allows better control
- Rubber industrial feed mat prevents slippage and preserves long life
- Solid steel welded construction
- 1 HP main motor and separate drive motor
- Overload safety switch protects main motor and operator safety
- Quick change spring clips ensure a tight wrapping abrasive
- Stand is flared to add extra support
- Hinged metal cover with built-in dust ports

Specifications:

Motor: 1 HP, 115V, 1 PH, 7A
Conveyor motor: 1/6 HP
Max sanding width: 17" (432 mm)
Max sanding thickness: 4" (100 mm)
Min. sanding thickness: 1/8" (6 mm)

Min. sanding length: 8" (203 mm)
Drum speed: 1,720 RPM
Variable feeding speed: 3 to 22 FPM
Shipping weight: 229 lbs (104 kg)
Net weight: 207 lbs (94 kg)

PURCHASE A 3" HANDY ROLL SANDPAPER AND MAKE YOUR OWN LOADS TO MINIMIZE COST



24" Double Drum Sander (MI-16750)



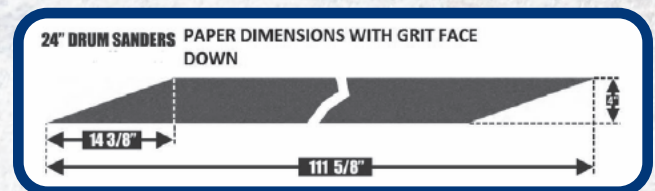
The Magnum Industrial MI-16750 24" Double Drum Sander sands two grits on one pass, so you can achieve a fine finish in less time. With a heavy-duty base and steel frame, this sander is made to perform in medium- to light-duty* production shops and is ideal for hardwood applications.

**May not be suitable for long, heavy planks.*

**Variable
Speed Double
Sanding
Drums**

Features:

- 3 HP main motor and 1/6 HP drive motor
- Double drums sand with rough and fine grit paper in a single pass
- Variable speed and a durable rubber feed mat provide control and prevent slippage
- Spring-supported rollers eliminate chatter
- Quick-change spring clips secure abrasive to drums
- Fully enclosed heavy-duty stand adds extra support
- Hinged metal cover allows easy maintenance
- Twin 4" dust ports allows efficient dust collection
- Magnetic safety switch improves operator safety



Specifications:

Motor:	3 HP, 220V, 1 PH, 15A	Drum speed:	1,150 RPM
Conveyor motor:	1/6 HP	Feed speed (variable):	3 to 20 FPM (0.93 to 6.2 m/min)
Max sanding width:	24" (610 mm)	Dust outlet:	4" (102 mm)
Sanding thickness:	1/4" to 5" (6 mm to 127 mm)	Base dimensions:	42-1/2" x 16-1/2" (1,080 x 419 mm)
Min. sanding length:	5" (127 mm)	Weight:	515 lbs (234 kg)
Drum diameter:	5" (127 mm)		

2" x 72" Heavy-Duty Belt Sander (MI-16800)



For metal grinding on steel, iron, and aluminum, the Magnum Industrial MI-16800 Heavy-Duty Belt Sander can perform heavy removal or extra fine polishing. Precision bearings and variable speed industrial motor allow for production applications. Powerful 1 HP 3 phase motor is converted to a fully variable speed to run on standard 115V to 230V single phase. Includes contact drum and combination platen attachment for fine hard to reach areas and redesigned dust boot for efficient dust control.

Features:

- Puts a satin finish on steel, iron or aluminum
- Grind difficult-to-reach areas with the 3" x 2" or 1-1/2" x 2" diameter contact wheels
- Yoke surface conforms to shape of the surface to produce an even, smooth finish
- For grinding and for refinishing cylindrical shapes
- Performs intricate contouring or internal finishing on uniquely shaped parts
- Serrated contact wheel is used for removing heavy stock, cleaning up a weld, or snagging a casting
- Adjustable dust chute with high dust collection efficiency
- Variable speed provides wide range of belt SFPM

*Combination
platen included*



Specifications:

Motor:	1 HP, 115V/230V, 3 PH, 13/6.5A With digital inverter to run on 110V, 1 PH	Dust boot:	3" (76.2 mm)
Belt size:	2" x 72" (50.8 x 1,828.8 mm)	Stand:	Not included
Belt speed:	2,000 to 6,200 SFPM	Dimensions:	16-15/16" x 35-7/16" (430 x 900 mm)
Contact wheels		Weight:	131 lbs (59.54 kg)
Smooth:	1-1/2" x 2" (38 x 50.8 mm)	Shipping weight:	167 lbs (75.9 kg)
Smooth:	3" x 2" (76.2 x 50.8 mm)		
Serrated:	8" x 2" (203.2 x 50.8 mm)		

MI-17203 25" Wide Belt Sander



Digital Table Positioning

EQUIPPED with machined steel rollers and a digital table positioning device that ensures accurate, trouble-free calibration, the Magnum Industrial MI-17203 25" Wide Belt Sander is a production workhorse that excels in any professional application. This sander features a combination platen head that's fully adjustable to provide fine or coarse sanding, ideal for sanding any solid wood or panel products. With a safety brake, infeed bar and magnetic controls, the MI-17203 is fully loaded with safety features that meet current CSA requirements.

Machined Steel Rollers



- Machined steel rollers provide durability and accuracy
- Digital table positioning readout allows repetitive calibration settings
- Combination platen head adjusts for fine or coarse sanding
- Simple and reliable belt tracking system keeps machine running smoothly
- Variable speed feed control delivers high-quality results
- Improved internal dust chute ensures efficient dust control
- Motor amp meter indicates when sanding belt requires changing
- Safety brake quickly stops machine if belt breaks
- Safety infeed bar protects workers
- Safety magnetic controls prevent motor burnout

Adjustable Platen Head



Specifications:

Motor:	10 HP, 220 V, 3 PH, 26 A
Feed motor:	1 HP, 4.5 A
Table hoist motor:	0.5 HP, 2.4 A
Belt size:	24" x 48"
Front drum:	25.3" x 3.38" (643 x 86 mm)
Rear drum:	25.3" x 2.36" (645 x 60 mm)
Feed speeds:	13 - 52 FPM
Table size (l x w):	33.1" x 26.4" (670 x 840mm)

Max. stock width:	25" (635 mm)
Max. stock thickness:	4" (101 mm)
Min. stock length:	12" (300 mm)
Dust chute:	4" (101 mm)
Compressed air req'd:	57 psi (4 kg/cm ²)
Dimensions:	51" x 47" x 60" (1294 x 1195 x 1519 mm)
Net weight:	1,455 lbs (660 kg)
Gross weight:	1,719 lbs (780 kg)

Wide Belt Sander MI-17303



Equipped with machined steel rollers and a digital table positioning device that ensures accurate, trouble-free calibration, the Magnum Industrial MI-17303 Wide Belt Sander is a production workhorse that excels in any professional application. This sander features a combination platen head that's fully adjustable to provide fine or coarse sanding, ideal for sanding any solid wood or panel products. With a safety brake, infeed bar and magnetic controls, the MI-17303 is fully loaded with safety features that meet current CSA requirements.

Digital Table Positioning

Machined Steel Rollers

Adjustable Platen Head

- Machined steel rollers provide durability and accuracy
- Digital table positioning readout allows repetitive calibration settings
- Combination platen head adjusts for fine or coarse sanding
- Simple and reliable belt tracking system keeps machine running smoothly
- Variable speed feed control delivers high-quality results
- Improved internal dust chute ensures efficient dust control
- Motor amp meter indicates when sand belt needs changing or excessive loading
- Safety infeed bar protects workers
- Safety magnetic controls prevent motor burnout

Specifications:

Width: 37"
Thickness: 5"
Main Motor: 20 HP
Feed Motor: 2 HP
Table Raising Motor: 1/2 HP

220 Volt 3 Phase 28 amps (suitable for 208V)
Feed Speeds: Variable (4-16 m/min)
Sanding Belt Size: 37 x 60"
Weight: 1150 kgs
Digital Read Out Included

1/8 HP Mini Power Feeder (MI-21100)

Fully Adjustable



The fully adjustable MI-21100 1/8 HP Mini Feeder offers variable speed in forward and reverse, and excels in light-duty applications. It features a 115-volt motor for easy installation and a universal mounting plate that's compatible with a variety of woodworking tools, including table saws, shapers, jointers, router tables and more. It's ideal for feeding long, narrow stock. Improve the efficiency and safety of your workshop with a Magnum Industrial 1/8 HP Mini Power Feeder.

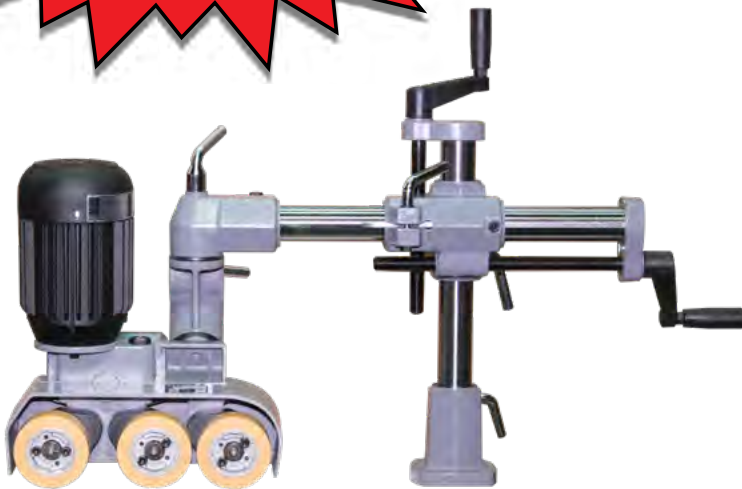
- Universal mounting plate adjusts to fit a range of woodworking machinery—table saws, shapers, jointers, router tables and more!
- Variable speed control in both forward and reverse provides high-quality, uniform results on all types of wood
- Durable and grippy neoprene wheels deliver smooth, long-lasting performance
- 115-volt motor makes installation easy in any workshop
- Built-in dust chute

Specifications:

Motor:	1/8 HP, 120V, 1 Ph, 1.2 A	Max. stock height:	2" (50 mm)
Speed range:	6.5 to 40 feet per minute	Max. stock width:	2" (50 mm)
Number of rollers:	3	Minimum stock length:	3-1/2" (89 mm)
Roller size:	3" x 1-3/16" (76 x 30 mm)	Dust chute:	2-3/4" (70 mm)
Roller suspension:	5/16" (8 mm)	Weight:	26 lbs (12 kg)

1/4 HP Power Feeder (MI-21200)

**Heavy-Duty
Base Fits Table
Saws, Shapers
and more!**



The MI-21200 1/4 HP Mini Power Feeder excels in light-duty applications. It features a 115-volt motor for easy installation and a heavy-duty cast-iron base that fits a variety of woodworking tools, including table saws, shapers, jointers and more. It's ideal for feeding long, narrow stock. Improve the efficiency and safety of your workshop with a Magnum Industrial 1/4 HP Mini Power Feeder.

- Heavy-duty cast-iron mounting base fits a range of woodworking machinery—table saws, shapers, jointers, bandsaws and more!
- Four speed settings (20, 26, 33, 43 feet per minute) in both forward and reverse provide high-quality, uniform results on all types of wood
- Hand cranks allow quick and accurate X and Y adjustments
- Durable and grippy neoprene wheels deliver smooth, long-lasting performance
- Chain drive and gear system ensure consistent, precise results over a long service life
- 115-volt motor makes installation easy in any workshop

Specifications:

Motor:	1/2 HP, 220 V, 1 Ph	Roller suspension:	9/16" (15 mm)
Speed settings:	4 (20, 26, 33, 43 feet per minute)	Max. stock height:	2" (76 mm)
Number of rollers:	3	Max. stock width:	3" (76 mm)
Roller size:	3-1/8" x 1-3/16" (80 x 30 mm)	Weight:	75 lbs (34 kg)

1/2 HP Power Feeder (MI-21250)

**Powerful
220V Motor**



The MI-21250 1/2 HP Power Feeder is designed for standard-duty applications. It features a powerful 220-volt motor and a heavy-duty cast-iron base that fits a variety of woodworking tools, including table saws, shapers, jointers and even bandsaws. It's ideal for feeding long, narrow stock up to 3" x 3". Upgrade to a Magnum Industrial 1/2 HP Power Feeder and improve the safety, efficiency and consistency of your woodworking machinery.

- Heavy-duty cast-iron mounting base fits a range of woodworking machinery—table saws, shapers, jointers, bandsaws and more!
- Four speed settings (9.5, 15, 25, 38 feet per minute) in both forward and reverse provide high-quality, uniform results on all types of wood
- Hand cranks allow quick and accurate X and Y adjustments
- Durable and grippy neoprene wheels deliver smooth, long-lasting performance
- Chain drive and gear system ensure consistent, precise results over a long service life
- 220-volt motor delivers powerful, efficient performance

Specifications:

Motor:	1/2 HP, 220 V, 1 Ph	Roller suspension:	3/4" (20 mm)
Speed settings:	4 (9.5, 15, 25, 38 feet per minute)	Max. stock height:	3" (76 mm)
Number of rollers:	3	Max. stock width:	3" (76 mm)
Roller size:	4" x 2" (100 x 50 mm)	Weight:	118 lbs (54 kg)

1 HP Heavy-Duty Power Feeder (MI-21400)

8 Speed Settings



The MI-21400 1 HP Heavy-Duty Power Feeder is designed to meet the needs of production shops and professional applications. It features a powerful 220-volt motor and a heavy-duty cast-iron base that fits a variety of woodworking tools, including table saws, shapers, jointers and even bandsaws. Upgrade to a Magnum Industrial 1 HP Heavy-Duty Power Feeder and improve the safety, efficiency and consistency of your woodworking machinery. Also available with efficient 3-phase motor (MI-21403).

Features:

- Heavy-duty cast-iron mounting base fits a range of woodworking machinery—table saws, shapers, jointers, bandsaws and more!
- Eight speed settings in both forward and reverse provide high-quality, uniform results
- Polished steel column and arm adjust fully and lock in place
- Hand cranks allow quick and accurate X and Y adjustments
- Durable and grippy neoprene wheels deliver smooth, long-lasting performance
- Chain drive and gear system ensure consistent, precise results over a long service life
- 220-volt motor—available in single phase or 3 phase—delivers powerful, efficient performance

Specifications:

Motor (MI-21400): 1 HP, 220V, 1 PH, 4.2A
Motor (MI-21403): 1 HP, 220V, 3 PH, 3.4A
Speed settings (8): 6.5, 13, 18, 22, 36, 43, 55, 108
Number of rollers: 4
Roller size: 4-3/4" x 2-1/4" (121 x 57 mm)

Roller suspension: 5/8" (16 mm)
Max. stock height: 3" (76 mm)
Max. stock width: 3" (76 mm)
Weight: 155 lbs (70 kg)

13" Helical Head Planer (MI-31160)



With long-lasting carbide blades and a precise helical cutterhead, the versatile MI-31160 Helical Head Planer excels in short-run applications, with either hard or soft wood. Its redesigned tables fold up for easy storage, and feature four support posts to minimize snipe. This portable planer is ideal for small shops and jobsite applications where high-quality finish is critical.

**Helical
Head with
Carbide
Inserts**

Features:

- Powerful 15 Amp motor and helical cutterhead deliver smooth, consistent results
- Durable four-post table ensures stable feeding and minimizes snipe
- Double-sided carbide inserts provide long service life and allow for easy set up
- Helical cutterhead reduces noise levels and tear out on hard wood cross grain
- Sturdy retractable tables fold away for storage and transport
- Dust hood provides efficient dust control when connected to shop-vac or dust collector
- Depth of cut indicator allows improved accuracy
- Keyed on/off switch provides additional safety

Specifications:

Motor:	110V, 15A	Minimum stock length:	5" (127 mm)
Carbide inserts:	26	Max cutting dept:	1/16" (1.5 mm)
Cutterhead speed:	10,000 RPM	Feed speed:	26 LMF
Max planing width:	13" (330 mm)	Table w/extensions:	33-3/4" x 13" (857 x 330 mm)
Planer opening:	6" (152 mm)	Weight:	79 lbs (35.8 kg)
Minimum thickness:	1/8" (3 mm)		

13" Helical Head Planer (MI-31170)

**New:
2 Speeds &
Top-Mounted
Rollers**



**Helical
Head with
Carbide
Inserts**

With long-lasting carbide blades and a precise helical cutterhead, the versatile MI-31170 Helical Head Planer excels in short-run applications, with either hard or soft wood. Its redesigned tables fold up for easy storage, and feature four support posts to minimize snipe. This portable planer is ideal for small shops and jobsite applications where high-quality finish is critical.



*Optional accessory:
MI-99300 Replacement
Carbide Inserts (10pc set)*

Features:

- Top-mounted rollers for long board handling
- 2-speed motor for better results when planing
- Turret stop for repeat thickness settings
- Powerful 15 amp motor and helical cutterhead deliver smooth, consistent results
- Durable four-post table ensures stable feeding and minimizes snipe
- Double-sided carbide inserts provide long service life and allow for easy set up
- Helical cutterhead reduces noise levels and tear out on hardwood cross grain
- Sturdy retractable tables fold away for storage and transport
- Dust hood provides efficient dust control when connected to shop-vac or dust collector
- Depth of cut indicator allows improved accuracy
- Keyed on/off switch provides additional safety

Specifications:

Motor:	110V, 15A	Minimum stock length:	5" (127 mm)
Carbide inserts:	26	Max cutting depth:	1/16" (1.5 mm)
Cutterhead speed:	10,000 RPM	Feed speed:	16 FPM & 26 FPM
Max planing width:	13" (330 mm)	Table w/extensions:	33-3/4" x 13" (857 x 330 mm)
Planer opening:	6" (152 mm)	Weight:	79 lbs (35.8 kg)
Minimum thickness:	1/8" (3 mm)		

15" Helical Head Planer (MI-31250)



The MI-31250 15" Helical Head Planer is considered one of the industry's finest. High-speed bearings, hardened steel gears and a cast iron motor ensure that this planer can deliver in demanding professional applications. Its double-sided rectangular carbide inserts make quick work of hardwoods like cross-grain maple and teak and are also quick to set, eliminating the need for time-consuming and finicky knife-setting jigs.

**Helical
Head with
Carbide
Inserts**

Features:

- 3 HP heavy-duty cast-iron motor is mounted on the bottom to provide better stability
- Helical cutterhead with carbide inserts delivers smooth, accurate cuts — an upgrade over conventional heads or systems with square inserts
- Rugged one-piece stand stabilizes planer and reduces vibration
- Four-post lock minimizes snipe marks on final pass
- Top-mounted return rollers enable multiple passes on long pieces of stock
- Built-in casters with locks allow for easy mobility and repositioning
- Magnetic safety switch adds safety and protects motor from overloading

Specifications:

Motor:	3 HP, 230V, 1 PH, 15A	Minimum thickness:	3/8" (9.5 mm)
Carbide inserts:	42	Minimum stock length:	6-1/2" (1.98 m)
Cutterhead speed:	5,000 RPM	Max cutting dept:	1/8" (3.175 mm)
Cutterhead diameter:	2-7/8" (50.8 mm)	Feed speed:	16 LMF & 20 LMF (4.87 & 6.1 m/min)
Max planing width:	15" (380 mm)	Dust ports:	1 x 5" (127 mm)
Planer opening:	6" (152 mm)	Weight:	598 lbs (271 kg)

20" Heavy-Duty Planer (MI-31450, MI-31453)



The MI-31450 20" Heavy-Duty Planer is an industry workhorse, made for busy shops that need a mid-range production machine. The newly designed Magnum helical cutterhead delivers all the advantages of a standard helical head with several improvements: It limits lines and grain tear out, it doesn't require special torque-setting tools, and its 58 reversible carbide inserts can handle almost any hardwood or softwood application. Also available with a 3-phase motor (MI-31453).

**Helical
Head with
Carbide
Inserts**

Features:

- Powerful 5 HP motor accommodates continuous feeding, even with larger planks
- Magnum helical cutterhead with 58 two-sided carbide inserts minimizes tear out and lines
- Extra-long cast-iron wings support large workpieces and reduce snipe
- Top return rollers facilitate multiple passes on long pieces
- Four-post lock minimizes snipe marks on final pass
- Two feed speeds (16 and 20 LFM) deliver high-quality results on hardwood or softwood
- Complete one-piece stand provides stable, vibration-free operation and includes a built-in heavy-duty mobile base
- Magnetic switch protects against burnout and improves operator safety

Specifications:

Motor (MI-31450):	5 HP, 220V, 1 PH, 23.2A
Motor (MI-31453):	5 HP, 220V, 3 PH, 20A
Inserts:	58 carbide two-sided inserts
Table size:	55" x 20" (1,437 x 508 mm)
Extension size:	4" x 21-1/4" (380 x 538 mm)
Cutterhead speed:	5,000 RPM
Dust port:	5" (127 mm)

Max planing width:	4" (100 mm)
Max stock thickness:	8" (202 mm)
Max stock length:	6-3/4" (172 mm)
Max cutting depth:	1/8" (3 mm)
Feed speed:	16 and 20 LFM
Weight:	893 lbs (406 kg)

20" Heavy-Duty Planer (MI-31550, MI-31552, MI-31553)



The Magnum Industrial 20" Heavy-Duty Planer features a European-inspired design and three motor options to meet the needs of any planing application, from schools and home workshops to professional production shops. The Magnum helical cutterhead is easy to set up and delivers all the advantages of a standard helical head plus several improvements:

- *Runs quieter and limits lines and grain tear out*
- *Doesn't require special torque setting tools*
- *Can handle almost any hardwood or softwood application*

**Helical
Head with
58 Reversible
Carbide
Inserts**

Features:

- Available with three powerful motor options
- Accommodates continuous feeding, even with larger planks
- Sectional infeed rollers allow for staggered feeding of smaller pieces without kickback
- Solid cast-iron extension wings add stability and reduce snipe when planing larger planks
- Magnum helical cutterhead with 58 two-sided carbide inserts minimizes tear out and lines
- Cutterhead housing features built-in sound baffles to reduce operating noise
- Two feed speeds (22 & 28 LFM) deliver high-quality results on hardwood or softwood
- Complete one-piece stand provides stable, vibration-free operation
- Angled dust hood keeps collector hose out of the way
- Magnetic switch protects against burnout and improves operator safety

Specifications:

Motor (MI-31550):	7.5 HP, 220V, 1 PH, 31A
Motor (MI-31552):	7.5 HP, 208V, 3 PH, 22A
Motor (MI-31553):	7.5 HP, 220V, 3 PH, 19A
Inserts:	58 reversible carbide
Cutterhead speed:	4,500 RPM
Cutterhead diameter:	3-3/4" (97 mm)
Max planing width:	20" (508 mm)
Max thickness:	8" (204 mm)
Minimum thickness:	3/16" (5mm)

Minimum stock length:	8-1/4" (210 mm)
Max cutting depth	
full width:	1/8" (3 mm)
narrow boards:	1/4" (6 mm)
Feed speed:	22 & 28 LFM
Table size:	55" x 20" (1,437 x 508 mm)
Dust ports:	5" (127 mm)
Weight:	1,397 lbs (635 kg)

24" Heavy-Duty Planer (MI-31662)



The heavy-duty Magnum Industrial planer is for medium to heavy-duty production. This new European design model incorporates all the features a woodworker would ever need for any planing application. The MI-31662 is excellent for schools and cabinet/furniture shops.



Magnum helical cutterhead with reversible inserts

- Wider (30 mm) two-sided inserts provide greater cutting edge at a reduced cost
- 25% longer blade edge life for less frequent insert replacement
- 35% fewer blade inserts per head for faster, less expensive replacement and reduced downtime
- Ideal blade insert angle suited for both soft and hardwood applications while requiring less horse power to operate
- Unique insert locking system greatly minimizes grain tear-out and lines on the workpiece
- No special torque tools required — minimizing stripped screws and cracked inserts

Features:

- Sectional infeed rollers allows staggered feeding of small pieces without kickback
- Variable high speed feed of 38 FPM allows for high volume
- Large helical carbide cutterhead diameter minimizes chatter and reduces heat build-up even when planing hardwoods
- Full 10 HP heavy-duty cast iron motor
- Magnetic safety switch for worker and motor protection (\$150 value)
- Sound hood with baffles for reduced decibels
- Unique quick lever sets both table rollers for quick adjust of hardwood or softwood snipe-free planing
- Complete one-piece stand reduces vibration
- Dust hood is included and is angled to avoid interference with wood
- Heavy-duty sectional chip breaker
- Replacement carbide tips MI-99301 or DIM-L30T



Specifications:

Motor:	10 HP, 208V, 3 PH	Cutterhead diameter:	84 mm
Max planing width:	24" (610 mm)	Cutterhead speed:	4,800 RPM
Max planing thickness:	8" (203 mm)	Feeding speed:	Variable 20 to 38 FPM (6 to 11.6 m/min.)
Min. planing thickness:	3/16" (4.75 mm)	Cuts per inch:	(25.4 mm) 62.5/20 FPM to 33/38 FPM
Min. planing length:	8" (203 mm)	Table size:	25-1/4" x 28" (660 x 711 mm)
Max planing depth:	5/16" (8 mm)	Weight:	1,100 lbs (500 kg)
Knives:	(3) helical		

24" Heavy-Duty Helical Head Planer (MI-31753)



The Magnum Industrial 24" heavy-duty helical head planer (MI-31753) incorporates all the features you need for any planing application. With its variable high speed feed (up to 72 LFM) and 15 HP heavy-duty motor, this machine is well suited for schools, cabinet shops and furniture shops that need the performance and dependability of a heavy-duty industrial-grade planer.

**Helical
Head with
Carbide
Inserts**

Features:

- Ideal for educational and professional applications
- Helical head reduces tear out while producing very low noise levels
- PLC controlled table allows you to fine tune positioning
- Sectional in-feed rollers reduce kickback when stagger feeding material
- Variable high-speed feed (up to 72 LFM) allows for high-volume production
- Full 15 HP heavy-duty motor delivers power and reliability
- Magnetic safety switch protects motor from overload and increases user safety
- Quick lever sets both table rollers to adjust for snipe-free planing
- One-piece cast frame reduces vibration

Specifications:

Motor:	15 HP, 220V, 3PH, 40A	Max stock width:	24" (609 mm)
Table motor:	1/2 HP, 2A / M3: 0.9A	Max stock thickness:	11-3/4" (298 mm)
Feed motor:	2 HP, 6.8A / M3: 2.5A	Minimum stock length:	10-5/16" (268 mm)
Feed speed:	16.5 to 72 LFM	Max cutting depth:	1/8" (3 mm)
Cutterhead speed:	5,000 RPM	Table size:	35.5" x 25-1/4" (901 x 641 mm)
Dust ports:	2 x 5" (125 mm)	Weight:	2,550 lbs (1,156 kg)

3 HP Spindle Shaper (MI-41100)



The MI-41100 3 HP Spindle Shaper is compact, yet it provides serious milling capacity. It features a powerful 3 HP motor that can run continuously, and delivers smooth, accurate shaping and milling for a range of applications. Other features include an easy-to-use reversing switch, a micro feed fence system that independently adjusts left or right, and a magnetic switch that prevents burnout.

**Micro Feed
Fence System
Independently
Adjusts Left
or Right**

Features:

- Powerful 3 HP motor delivers smooth performance
- Precision ground cast-iron table
- Independent micro feed fences adjust left or right
- T-slot mitre gauge included for tenoning applications
- Two spindle speeds provide versatility for a range of applications
- Cast-iron dust hood captures dust at the source
- Reversing switch make changing directions simple and easy
- Magnetic switch improves operator safety and protects motor from burnout
- Includes 1/2" and 1 1/4" spindle cartridges and 1/4" and 1/2" router collets

Specifications:

Motor:	3 HP, 220V, 1 PH, 15A	Fence sizes:	3" x 11" (76 x 279 mm)
Spindles travel:	3" (76 mm)	Dust ports:	4" (102 mm)
Spindle speeds:	8,000 & 10,000 FPM	Table height:	34" (864 mm)
Spindle opening diameters:	7", 3-1/2", 3" (177, 89, 76 mm)	Table dimensions:	27" x 25" (686 x 635 mm)
Spindles diameter:	1/2" & 1-1/4"	Weight:	326 lbs (148 kg)

5 HP Heavy-Duty Spindle Shaper (MI-41200)



The MI-41200 5 HP Heavy-Duty Spindle Shaper is designed for cabinet makers, millworkers, and production shops. Its heavy-duty 5 HP motor can run continuously and keep pace with a power feeder, performing accurate and smooth milling and shaping all day long. Other features include an easy-to-use reversing switch, micro feed fences that independently adjust left or right, and a magnetic switch that prevents burnout.

**Heavy-Duty
Cast-Iron
Table**

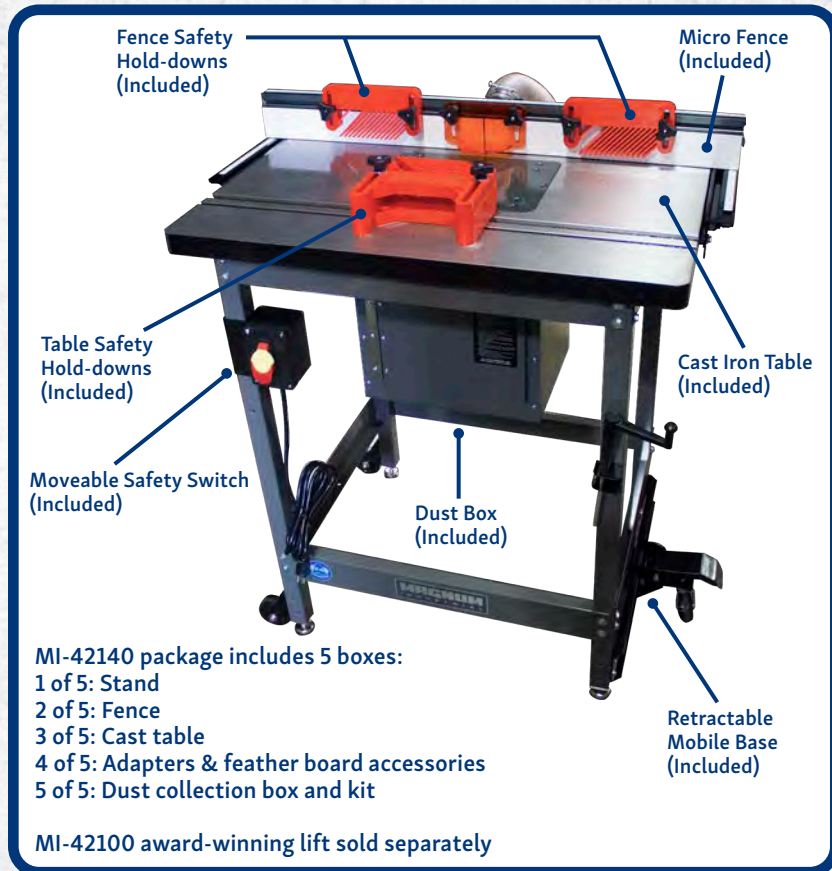
Features:

- Powerful 5 HP motor delivers smooth performance — and keeps pace with a power feeder
- Precision ground, heavy-duty cast-iron table is stable and rugged
- Independent left and right fences allow for super precise micro adjustments
- T-slot mitre gauge included for tenoning applications
- Four spindle speeds provide versatility for a range of milling and shaping projects
- Spindle lock accommodates quick changeover
- Safety hold-downs limit kickback with small or narrow work pieces
- Cast-iron dust hood captures dust at the source
- Reversing switch makes changing directions simple and easy
- Magnetic switch improves operator safety and protects motor from burnout
- Includes 1-1/4" spindle cartridge

Specifications:

Main motor:	5 HP, 220V, 1 PH, 25A	Fence sizes:	5" x 16-1/2" (127 x 419 mm)
Spindle opening diameters:	7", 3-1/2", 3", 2" (177, 89, 76, 51 mm)	Fence travel:	3" (76 mm)
Spindle diameter:	1-1/4" (32 mm)	Dust ports:	4" (102 mm)
Spindle capacity under nut:	5" (127 mm)	Table height:	36" (914 mm)
Spindle travel:	3" (76 mm)	Table dimensions:	30" x 40" x 3-5/16" (762 x 1,016 x 85 mm)
Spindle speeds:	4K, 6K, 8K, 10K RPM	Base dimensions:	28-1/2" x 28" (724 x 711 mm)
		Weight:	741 lbs (337 kg)

Deluxe Router Table Package (MI-42140)



The Magnum Industrial Deluxe Router Table Package allows you to perform precision router and shaping projects where fine joinery and detail is critical. Repetitive accuracy is easy with this system. The chain lift design is robust enough to take commercial duty applications and the vertical design eliminates bushings therefore minimizes maintenance and ensures long term accuracy. Combined with a solid cast iron table top and fine adjust fence system the MI-42140 package is a top seller.



Router Lift Available Separately (MI-42100)

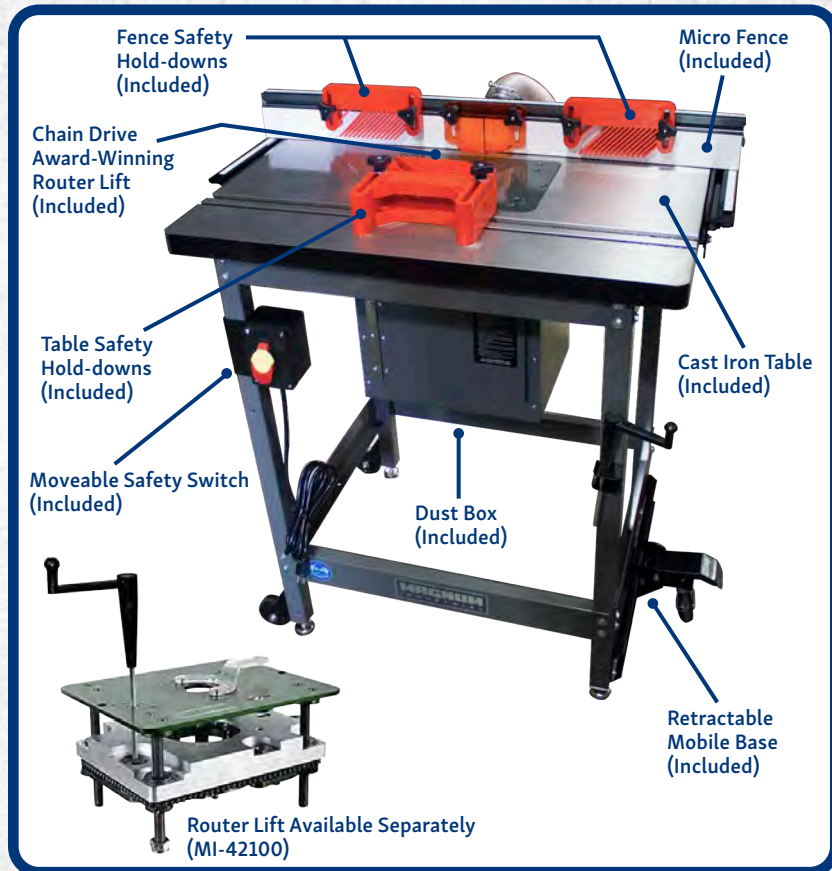
Features:

- Above table fine adjustment gives clear view of increments for precision work
- MI-42100 award-winning chain lift (bushing-less) design is sold separately
- Cast iron precision ground table top for solid stable performance
- Built-in dust kit makes dust control efficient and easy to connect
- All safety feather boards are included ensuring safe and vibration free work
- Reducer adapters MI-99400 (3-1/2") and MI-99401 (3-1/4") included as standard equipment
- Retractable mobile base can be lowered on 4 solid feet for vibration free work
- Dust collection connects the main router and the fence port to ensure full coverage
- On/off switch is movable to different positions for safer easy access

Specifications:

Overall dimensions:	35-1/2" x 24" x 41" (902 x 609 x 1,041 mm)	Distance between spindle center to front edge of table:	12" (305 mm)
Table size:	24" x 32" x 1-1/4" (609 x 812 x 32 mm)	Dust outlet:	4" (102 mm)
Table height:	36-1/2" (927 mm)	T-slot dimensions:	3/4" x 3/8" (19 x 10 mm) 3/8" x 1/4" (10 x 7 mm)
Fence size (each):	3" x 17-3/4" x 3/4" (76 x 451 x 19 mm)	Router insert plate:	9-1/4" x 11-3/4" (235 x 298 mm)
Max fence travel:	9" (229 mm)	Table opening sizes:	3-3/4" (95 mm) plate 1-1/2" (38 mm) insert ring
Distance between T-slot & spindle center:		Weight:	185 lbs (84 kg)
3/4":	5-5/8" (143 mm)		
3/8":	7-3/16" (183 mm)		

Deluxe Router Lift & Table Package (MI-42150)



The Magnum Industrial Deluxe Router Lift & Table Package allows you to perform precision router and shaping projects where fine joinery and detail is critical. Repetitive accuracy is easy with this system. The chain lift design is robust enough to take commercial duty applications and the vertical design eliminates bushings therefore minimizes maintenance and ensures long term accuracy. Combined with a solid cast iron table top and fine adjust fence system the MI-42150 package is a top seller.



Features:

- Above table fine adjustment gives clear view of increments for precision work
- Chain lift design eliminates bushings and ensure maintenance free longevity
- Cast iron precision ground table top for solid stable performance
- Built-in dust kit makes dust control efficient and easy to connect
- All safety feather boards are included ensuring safe and vibration free work
- Reducer adapters MI-99400 (3-1/2") and MI-99401 (3-1/4") included as standard equipment
- Retractable mobile base can be lowered on 4 solid feet for vibration free work
- Dust collection connects the main router and the fence port to ensure full coverage
- On/off switch is movable to different positions for safer easy access

Specifications:

Overall dimensions:	35-1/2" x 24" x 41" (902 x 609 x 1,041 mm)	Distance between spindle center to front edge of table:	12" (305 mm)
Table size:	24" x 32" x 1-1/4" (609 x 812 x 32 mm)	Dust outlet:	4" (102 mm)
Table height:	36-1/2" (927 mm)	T-slot dimensions:	3/4" x 3/8" (19 x 10 mm) 3/8" x 1/4" (10 x 7 mm)
Fence size (each):	3" x 17-3/4" x 3/4" (76 x 451 x 19 mm)	Router insert plate:	9-1/4" x 11-3/4" (235 x 298 mm)
Max fence travel:	9" (229 mm)	Table opening sizes:	3-3/4" (95 mm) plate 1-1/2" (38 mm) insert ring
Distance between T-slot & spindle center:		Weight:	185 lbs (84 kg)
3/4":	5-5/8" (143 mm)		
3/8":	7-3/16" (183 mm)		

Hot Air Edge Banding Machine - MI-46150



Includes hand trimmer for finishing edges

The Magnum Industrial MI-46150 **Hot Air Edge Banding Machine** is a time-saving addition for any workshop—it's designed to deliver high-quality edge banding for serious hobbyists and professionals who occasionally require an edge bander. This tool features a teflon-coated aluminum table and knife guard, a Steinel double-insulated heat gun that delivers up to 200°C and a fence that supports banding up to 2-1/4" wide.

New Updated Design

- Smooth-sliding teflon-coated aluminum table and knife guard
- Double-insulated **Steinel 1,500 Watt heat gun** compatible with pre-glued edge banding
- Variable heat control delivers 100 to 200°C
- Pressure rollers accommodate banding up to 2-1/4" wide
- Ergonomic palm-activated cut-off knife slices banding with ease
- Large 26-3/4" x 7-1/2" table supports bigger workpieces
- Non-slip rubber feet adjust for height and add stability
- Includes hand trimmer for finishing edges

Specifications:

Double-insulated heat gun:	1,500 W, 120 V	Fence height:	2 3/16"
Operating temperature:	100–200°C	Dimensions (l x w x h):	26 3/4" x 26" x 9 3/8"
Maximum banding width:	2-1/4"	Weight:	26.4 lbs (12 kg)
Table size:	26 3/4" x 7 1/2"		

10" Cabinet Saw (MI-51100A)



With new upgrades for 2020, including overload protection, more Teflon fence pads and silicone-coated guides, the MI-51100A is a true left-tilt cabinet saw for pro shops and serious woodworking enthusiasts. It's equipped with base-mounted trunnions for vibration-free operation and easy fine-tuning, along with a self-aligning, smooth-operating T-fence. Driving the 10" blade is a powerful 2 HP motor that operates on either 220 or 110 volts.*

*Motor is prewired for 220 volts. To convert to 115 volts, please order part# P-MI-51100-13/125

Features:

- 2 HP cast-iron motor is fully enclosed to keep out dust and debris — **Now with overload protection!**
- Self-aligning T-square fence reduces binding — **Now with additional Teflon pads for smoother action!**
- Quick-change fence faces save time and improve efficiency
- Silicone-coated trunnion guides make raising and lowering the blade as smooth as ever
- Forged one-piece arbor guarantees minimal saw runout
- Blade changes are safe and easy with extra-large table insert and built-in arbor lock
- Upgraded dust collection design is super-efficient
- Jointless serpentine drive belt delivers smooth, reliable power transfer
- Safety features include knee-knock off switch, see-thru blade guard with anti-kickback features and removable riving knife

Specifications:

Motor:	2 HP, 115V/230V, 19/9.5A	Max dado cut:	13/16" (21 mm)
Blade diameter:	10" (254 mm)	Dust port diameter:	4" (102 mm)
Arbor diameter:	5/8" (16 mm)	Table height:	36" (914 mm)
Arbor speed:	4,000 RPM	Table size:	44" x 27" (1,118 mm x 686 mm)
Max cutting depth at 45°:	2-1/4" (54 mm)	Base dimensions:	20" x 20" (508 mm x 508 mm)
Max cutting depth at 90°:	3" (77 mm)	Weight:	330 lbs (150 kg)
Max rip to left of blade:	8" (203 mm)		
Max rip to right of blade:	30" (762 mm)		



Optional accessories:
 MI-99005 Tenon Jig (A)
 MI-99510 Zero Clearance Insert (B)

Further improve safety and dust control with the optional Magnum Industrial MI-52100 10" Overarm Blade Guard (C)

10" Cabinet Saw with Router Table – MI-51180

Our premier saw package for hobbyists and small shops. Equipped with a true 1.75 HP motor, the MI-51180 is among the most powerful 110-volt cabinet saws available. And it arrives prewired for 110 volts - no rewiring necessary. The saw features a router table extension wing and deluxe rip fence assembly, as well as base-mounted trunnions for stable, vibration-free operation. Its trunnion guides are silicone-coated for smooth action when raising and lowering the blade, a forged one-piece blade arbor limits runout, helping to make this saw both durable and precise. For even more power, it converts to 220 volts if more torque is required further adding to the MI-51180's versatility.

Features

- A true 1.75 HP motor is fully enclosed
- Prewired for 110 volts—and converts to 220 volts
- Router-plate ready with included router table extension wing (insert sold separately)
- Self-aligning T-square fence reduces binding
- Blade changes are safe and easy with extra-large table insert and built-in arbor lock
- Upgraded dust collection design is super efficient
- Safety features include a knee-knock power switch, anti-kickback removable riving knife

Optional Accessories (sold separately)

- MI-52100 OVERARM BLADE GUARD (A)
- MI-99005 TENON JIG (B)
- MI-99511 ZERO CLEARANCE INSERT (C)
- MI-99540 PHENOLIC ROUTER PLATE (D)
- MI-99541 ALUMINUM ROUTER PLATE (E)
- MI-99535 DELUXE ROUTER TABLE FENCE (F)
- MI-42100 ROUTER LIFT (G)



Specifications

Motor:	1.75 HP, 115V / 230V, 1 Phase*
Blade diameter: (saw blade not included)	10" (254 mm)
Arbor diameter:	5/8" (16 mm)
Arbor speed:	4,200 RPM
Maximum cutting depth at 45°:	2-1/8" (77 mm)
Maximum cutting depth at 90°:	3-1/8" (79 mm)
Max cut to right of blade with use of fence:	31"
Maximum dado cut:	13/16" (20 mm)
Dust port diameter:	4" (102 mm)
Table height:	34" (862 mm)
Table size:	27" x 20" (686 mm x 512 mm)
Table with extensions:	27" x 40" (686 mm x 1,020 mm)
Net weight:	313 lbs (142 kg)

*Motor is prewired for 115V



10" Cabinet Saw with 3 HP Motor (MI-51250)



The MI-51250 10" Cabinet Saw with 3 HP Motor is ideal for light- to medium-duty shops, especially those that require a full 50" rip capacity. In addition to its powerful 3 HP motor, this saw also features a self-aligning precision T-fence and an internal dust collection port near the blade, which adds to the efficiency and effectiveness of your dust collection system.

Features:

- 3 HP cast-iron motor is fully enclosed to keep out dust and debris
- Precision self-aligning T-square fence with 50" rip capacity
- Quick-change fence faces save time and improve efficiency
- L-12 version on fence allows 12" to left of blade capacity
- Removable riving knife prevents kickback
- Forged one-piece arbor guarantees minimal saw runout
- See-thru guard with anti-kickback features
- Magnetic safety switch
- Blade lock for safe, easy blade changing
- Upgraded dust collection design is super efficient
- Extra-large table insert makes for easy blade changes
- Large T-slot mitre gauge slots
- Serpentine jointless drive belt delivers super-smooth operation
- Hanging brackets provide blade and wrench storage
- Includes laminated per-drilled table boards and adjustable steel legs



Optional accessories:
MI-99510 Zero Clearance Insert (A)

Further improve safety and dust control with the optional Magnum Industrial MI-52100 10" Overarm Blade Guard (B)

Specifications:

Motor: 3 HP, 230V, 13A
Max cutting depth 45°: 2-1/8" (54 mm)
Max cutting width 90°: 3" (77 mm)
Blade diameter: 10" (254 mm)
Arbor diameter: 5/8" (16 mm)
Arbor speed: 4,000 RPM
Arbor tilt: 0° to 45°
Dust port diameter: 4" (102 mm)

Max rip to left of blade: 12" (305 mm)
to right of blade: 50" (1,270 mm)
Max dado cut: 13/16" (21 mm)
Table height: 36-3/4" (914 mm)
Table size: 44" x 27" (1,118 x 686 mm)
Base dimensions: 23" x 22-1/2" (584 x 572 mm)
Weight: 371 lbs (168 kg)

10" Cabinet Saw with 3 HP Motor (MI-51260)

New



**New Metal
Table with
Storage
Drawer**

The MI-51260 10" Cabinet Saw with 3 HP Motor is ideal for light- to medium-duty shops, especially those that require a full 50" rip capacity. In addition to its powerful 3 HP motor, this saw also features a self-aligning precision T-fence and an internal dust collection port near the blade, which adds to the efficiency and effectiveness of your dust collection system.

Features:

- 3 HP cast-iron motor is fully enclosed to keep out dust and debris
- Precision self-aligning T-square fence with 50" rip capacity
- Quick-change fence faces save time and improve efficiency
- L-12 version on fence allows 12" to left of blade capacity
- Removable riving knife prevents kickback
- Forged one-piece arbor guarantees minimal saw runout
- See-thru guard with anti-kickback features
- Magnetic safety switch
- Blade lock for safe, easy blade changing
- Upgraded dust collection design is super efficient
- Extra-large table insert makes for easy blade changes
- Large T-slot mitre gauge slots
- Serpentine jointless drive belt delivers super-smooth operation
- Hanging brackets provide blade and wrench storage
- Includes laminated per-drilled table boards and adjustable steel legs



Optional accessories:
MI-99510 Zero Clearance Insert (A)

Further improve safety and dust control with the optional Magnum Industrial MI-52100 10" Overarm Blade Guard (B)

Specifications:

Motor: 3 HP, 230V, 13A
Max cutting depth 45°: 2-1/8" (54 mm)
Max cutting width 90°: 3" (77 mm)
Blade diameter: 10" (254 mm)
Arbor diameter: 5/8" (16 mm)
Arbor speed: 4,000 RPM
Arbor tilt: 0° to 45°
Dust port diameter: 4" (102 mm)

Max rip to left of blade: 12" (305 mm)
to right of blade: 50" (1,270 mm)
Max dado cut: 13/16" (21 mm)
Table height: 36-3/4" (914 mm)
Table size: 44" x 27" (1,118 x 686 mm)
Base dimensions: 23" x 22-1/2" (584 x 572 mm)
Weight: 371 lbs (168 kg)

10" Heavy-Duty Cabinet Saw (MI-51350, MI-51453)



**Magnum
Industrial's
Toughest Saw**

The Magnum Industrial Heavy-Duty 10" Cabinet Saw is as tough as it is accurate, delivering precision for detailed joinery and power for heavy ripping. Available with two motor options (3 HP 230V and 5 HP 220V three phase), this saw is equipped with a multi-feature fence and an internal dust collection port near the blade for efficient and effective dust collection. Further improve safety and dust control with the optional Magnum Industrial overarm blade cover (MI-52100) shown below.

Features:

- Cast-iron motor is fully enclosed to keep out dust and debris
- Extra-large precision-ground cast-iron table
- Self-aligning fence is loaded with features
- L-12 version on fence allows 12" to left of blade capacity
- Removable riving knife prevents kickback
- Forged one-piece arbor guarantees minimal saw runout
- Magnetic safety switch
- Blade lock for safe, easy blade changing
- Extra-large table insert makes for easy blade changes
- Large T-slot mitre gauge slots
- Serpentine jointless drive belt delivers smooth operation
- Hanging brackets provide blade and wrench storage
- Laminated pre-drilled table boards and adjustable steel legs

Specifications:

Motor (MI-51350):	3 HP, 230V, 1 PH, 11.7A
Motor (MI-51453):	5 HP, 220V, 3 PH, 14A
Blade diameter:	10" (254 mm)
Arbor diameter:	5/8" (16 mm)
Arbor speed:	4,300 RPM
Arbor tilt:	0° to 45°
Max cutting depth (45°):	2-1/8" (54 mm)
Max cutting depth (90°):	3" (76 mm)

Max rip to left of blade:	12" (305 mm)
Max rip to right of blade:	50" (1,270 mm)
Max dado cut:	13/16" (20.6 mm)
Dust port diameter:	4" (101.6 mm)
Table height:	34" (863.6 mm)
Table size:	42" x 29" (1,067 x 736.6 mm)
Base dimensions:	21" x 23" (533.4 x 584 mm)
Weight:	540 lbs (245 kg)



*Optional accessories:
MI-99510 Zero Clearance Insert (A)*

Further improve safety and dust control with the optional Magnum Industrial MI-52100 10" Overarm Blade Guard (B)

10" Overarm Blade Cover (MI-52100)



Need to improve on your existing table saw cover? The Magnum Industrial 10" Overarm Blade Cover is the perfect solution. Its telescoping boom design fits most table saws easily, and the cover is compatible with saws equipped with riving knives. Plus it connects to your dust collection system for efficient dust collection at the source.

**Riving Knife
Compatible**

Features:

- Fits most saws with very little modification, and most importantly, works with saws that have anti-kickback riving knives installed
- Replaceable Plexiglas plates allow great visibility and provide excellent protection
- Swings in and out to allow quick access to table insert and blade arbor
- Connects to your dust control system to efficiently remove sawdust and debris at the source

Specifications:

Boom diameter: 4"
Applicable blade size: 10"
Blade cover: 3-1/8" x 17"
Range of boom: 39-3/4" to 69-5/8"

**Boom height
above table:** 13-3/8"
above floor: 33-3/4" to 48-1/2"
Weight: 58 lbs (26.5 kg)

12" to 14" Overarm Blade Cover (MI-52150)



Need to improve on your existing table saw cover? The Magnum Industrial 12" Overarm Blade Cover is the perfect solution. Its telescoping boom design fits most table saws easily, and the cover is compatible with saws equipped with riving knives. Plus it connects to your dust collection system for efficient dust collection at the source.

**Riving Knife
Compatible**

Features:

- Fits most saws with very little modification, and most importantly, works with saws that have anti-kickback riving knives installed
- Replaceable Plexiglas plates allow great visibility and provide excellent protection
- Swings in and out to allow quick access to table insert and blade arbor
- Connects to your dust control system to efficiently remove sawdust and debris at the source

Specifications:

Boom diameter: 4"
Applicable blade size: 12"-14"
Blade cover: 3-1/8" x 20-1/8"
Range of boom: 39-3/4" to 69-5/8"

**Boom height
above table:** 13-3/8"
above floor: 33-3/4" to 48-1/2"
Weight: 58 lbs (26.5 kg)

Heavy-Duty 16" Radial Arm Saw (MI-53400)



Designed for continuous-duty production shops, the MI-53400 Heavy-Duty 16" Radial Arm Saw features impressively sturdy castings and a rugged overall construction. It also comes with a variety of safety features including a blade brake, safety guard, riving knife, mag switch and motor return. The MI-53400 delivers accurate results in many applications — crosscuts, rips, mitre cuts, bevel cuts and more — and fine adjustments are easy to make.

**Heavy-Duty
& Loaded
with Safety
Features**

Features:

- Delivers precise results when cutting standard crosscuts and rips, as well as bevel and mitre cuts
- Heavy-duty cast-iron frame and all-steel column and stand allow for stable and accurate cutting
- Adjustable index features positive stops at 90° and 45°
- Automatic blade brake quickly stops blade after shutdown
- European-designed blade guard meets the highest safety standards
- Motor return spring safely and automatically repositions motor after cutting
- Built-in dust collection ports help control debris and chips at the source
- Anti-kickback riving knife prevents overfeeding and jamming
- Magnetic safety switch with lock-out key provides added safety

WARNING: THIS MACHINE SHOULD ONLY BE OPERATED BY CERTIFIED MACHINERY OPERATOR

ELECTRICAL CONNECTION: ON SINGLE PHASE UNITS VOLTAGE MUST BE MINIMUM 220 VOLT

IMPORTANT NOTE: DUE TO LARGE DIAMETER SAW BLADE THE START-UP TIME ON THIS MOTOR WILL BE DELAYED AND MAY REQUIRE UP TO A 50 AMP BREAKER DEPENDING ON THE GAUGE OF SUPPLY LINE.

Specifications:

Motor (single phase):	3 HP, 220V, 1 PH	Dado capacity:	1" (25 mm)
Motor (three phase):	4 HP, 220V, 3 PH	Table height:	32" (813 mm)
Max cutting depth 90°:	4-7/8" (124 mm)	Table dimensions:	39-3/4" x 48" (1,010 x 1,220 mm)
Max cutting width 45°:	2-1/2" (65 mm)	Overall dimensions:	56-5/8" x 48" x 67-7/16" (1,439 x 1,220 x 1,713 mm)
Blade diameter:	16" (400 mm)	Shipping weight:	799 lbs (363 kg)
Blade arbor:	1" (25 mm)	Net weight:	572 lbs (260 kg)
Crosscut capacity:	24" (609 mm)		

Heavy-Duty 12" Cold Cut Saw (MI-61300)



MI-61300 CUTTING CAPACITY		
bevel	@ 90°	@ 45°
●	2"	2"
○	4"	3.5"
□	3.2" x 3.2"	3.1" x 3.1"
▭	4.3" x 2.8"	3.3" x 2.8"

Optional Accessory Blades

HSS-1093180 — 12" 180 Teeth
ideal for thick metal

HSS-1093220 — 12" 220 Teeth
ideal for thin metal

The Magnum Industrial 12" cold cut saw delivers clean, accurate cuts in steel, iron and more. Equipped with hardened steel gears, a high-capacity coolant tank, quick-clamping vise, infeed support roller, and sealed control panel, this cold saw delivers quality results in demanding production applications.



- Powerful 2.5 HP motor cuts a variety of ferrous metal—steel, cast iron and more
- HSS blade (sold separately) delivers clean, accurate cuts
- Hardened steel gears provide efficient power transfer and long-term durability
- Quick-clamp vise makes it easy to load and unload material
- Adjustable work stops allow efficient, repeatable cuts
- Control handle with safety trigger switch provides comfortable, ergonomic workflow
- Infeed roller supports larger workpieces
- Coolant pump with 5 litre tank limits downtime due to refilling
- Sealed control panel stands up to workplace wear and tear
- Overload protection and magnetic starter

Specifications:

Motor: 2.5 HP, 220V, 8.5 A, 1,720 rpm
Bevel capacity: 0° to 45°
Blade size: 12"
Spindle speed: 52 rpm

Coolant tank capacity: 5 litres
Vise capacity: 4-3/4"
Dimensions (l x w x h): 40" x 39" x 72"
Weight: 385 lbs (195 kg)

Heavy-Duty 14" Cold Cut Saw (MI-61400)



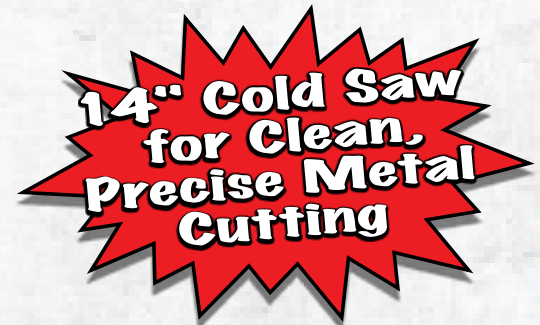
MI-61400 CUTTING CAPACITY		
bevel	@ 90°	@ 45°
●	3.5"	3"
○	4.7"	4"
□	4" x 4"	3.5" x 3.5"
▭	6.3" x 3.5"	3.5" x 2.8"

Optional Accessory Blades

HSS-1098210 — 14" 210 Teeth
ideal for thick metal

HSS-1098260 — 14" 260 Teeth
ideal for thin metal

For tight tolerances and clean finishes when cutting metal, a cold cut saw is your best bet. This heavy-duty 14" model from Magnum Industrial delivers precise cuts in a variety of ferrous metal cutting applications—angle stock, pipes, extrusions and more. It features variable-speed cutting with a digital speed display, high-capacity coolant tank, and quick-clamping vise that makes loading and unloading more efficient.



- Powerful 3 HP motor cuts a variety of ferrous metal—steel, cast iron and more
- Connects to 220 volt single phase power and converts to three phase via digital inverter
- HSS blade (sold separately) delivers clean, accurate cuts
- Variable speed control with digital display adds consistency for repeatable results
- Quick-clamp vise makes it easy to load and unload material
- Control handle with safety trigger switch provides comfortable, ergonomic workflow
- Coolant pump with 5 litre tank limits downtime due to refilling
- Water channel is specially designed for efficient cooling and lubricating
- Shockproof control panel stands up to workplace wear and tear
- Overload protection and magnetic starter

Specifications:

Motor*:	3 HP, 220V, 9.6 A, 1,720 rpm	Coolant tank capacity:	5 litres
Bevel capacity:	0° to 45°	Vise capacity:	6-11/16"
Blade size:	14" x 0.1"	Dimensions (l x w x h):	47" x 39" x 67.7"
Blade speeds:	24 to 124 rpm	Weight:	552 lbs (250 kg)

*Unit connects to a 220 volt single phase power supply and converts to 3 phase with its onboard digital inverter

14" Benchtop Drill Press (MI-76100)



The Magnum Industrial 14" Benchtop Drill Press is a rugged, powerful and accurate tool that can handle a variety of wood and metal drilling applications. Ideal for a hobbyist or a professional who occasionally requires a drill press, the MI-76100 has a ton of features and is constructed to our specs to deliver long life and accurate drilling.

**Laser Light
and Drill
Chuck Guard
Included**

Features:

- 5/8" precision chuck and taper for accurate vibration-free drilling
- Built-in work light with separate switch
- Extra-long, 1/2" diameter handles provide better feed control
- Durable metal hood protects motor from dust and debris
- Positive drill stop for pre-measured drill depth does not slip
- Speeds from 280 to 3,000 RPM for metal/wood or plastic drilling application
- Cast iron pulleys limit vibration during operation
- Precision bearing for accurate drilling and long life
- Safety interrupter switch deactivates machine during a power outage and requires manual restart when power returns

Specifications:

Motor:	1/2 HP, 110V, 8A	Spindle speeds:	(12) 280-3,000 RPM
Drilling capacity:	5/8" (16 mm)	Spindle/chuck taper:	MT2 / JT3
Chuck size:	5/8" (16 mm)	Overall height:	38-1/2" (978 mm)
Spindle travel:	3-1/8" (80 mm)	Base size:	10" x 16-7/8" (254 x 429 mm)
Table size:	11-3/8" (289 mm)	Swing:	13-3/8" (340 mm)
Column diameter:	2-7/8" (73 mm)	Weight:	105 lbs (48 kg)

14" Floor Drill Press (MI-76150)



Introducing the Magnum Industrial 14" Floor Drill Press, a rugged, powerful and accurate tool that can handle a variety of wood and metal drilling applications. Ideal for a hobbyist or a professional who occasionally requires a drill press, the MI-76150 Drill Press has a ton of features and is constructed to our specs to deliver long life and accurate drilling.

**Laser Light
& Drill Chuck
Guard Included**

Features:

- 5/8" precision chuck and taper for accurate, vibration-free drilling
- Built-in work light with separate switch
- Extra-long 1/2" diameter handles provide better feed control
- Durable metal hood protects motor from dust and debris
- Positive drill stop for pre-measured drill depth does not slip
- Speeds from 280-3,000 RPM for metal/wood or plastic drilling application
- Cast iron pulleys limit vibration during operation
- Precision bearings for accurate drilling and long life
- Unique safety interrupter switch deactivates machine during a power outage and requires manual restart when power returns

Specifications:

Motor:	1/2 HP, 110V, 8A	Spindle speeds (12):	280-3,000 RPM
Drilling capacity:	5/8" (16 mm)	Spindle/chuck taper:	MT2 / JT3
Chuck size:	5/8" (16 mm)	Overall height:	62" (1,575 mm)
Spindle travel:	3-1/8" (80 mm)	Base size:	10" x 16-7/8" (254 x 429 mm)
Table size:	11-3/8" (289 mm)	Swing:	13-3/8" (340 mm)
Column diameter:	2-7/8" (73 mm)	Weight:	125 lbs (56 kg)

17" Floor Drill Press (MI-76350)



The Magnum Industrial 17" drill press delivers precision and power and it's built to handle the demands of a professional shop. The MI-76350 is a great option for fabricators looking for a drill press that's rugged enough to handle the demands of light and medium duty production work and accurate enough to consistently deliver precise results.

**Laser Light
and Drill
Chuck Guard
Included**

Features:

- Industrial 1 HP motor with a durable metal hood to keep out dust and debris
- Double-wide spindle bearings and precision spindle reduce vibration during operation
- Built-in work light with separate on/off switch
- Extra long handles for better feed control
- Positive drill stop for accurate depth control
- Full range of spindle speeds
- Unique safety interrupter switch deactivates machine during a power outage and requires manual restart when power returns
- Dual voltage motor

Note: When wiring for 220 volt optional switch #MI-76350-23-220V is required

Specifications: Pre-wired 110V

Motor:	1 HP, 110 V, 12.5 A (220V-7A)	Spindle Speeds:	(12) 280-3,000 RPM
Drilling Capacity:	3/4" (19 mm)	Spindle / Chuck Taper:	MT2 / JT3
Chuck Size:	5/8" (16 mm)	Overall Height:	64 1/2" (1638 mm)
Spindle Travel:	3 1/8" (80 mm)	Base Size:	11 3/4" x 19 5/8" (302 x 500 mm)
Table Size:	12" (305 mm)	Swing:	17" (432 mm)
Column Diameter:	3 1/8" (79 mm)	Weight:	200 lbs (90 kg)

17" Heavy-Duty Drill Press (MI-76370)



With a 6" stroke, upgraded laser and a precision-made spindle and bearings, the Magnum Industrial 17" heavy-duty drill press delivers pinpoint, vibration-free drilling—in wood or metal—and can withstand the daily grind of busy production shops and garages.



Features:

- Cast-iron 1 HP motor is fully enclosed prewired 110V
- Includes upgraded laser and adjustable inspection light
- 3/4" precision chuck for accurate, small-diameter drilling
- Cast iron pulleys reduce vibration
- Built-in work light with separate on/off switch
- Extra-long, 1/2" diameter handles for better feed control
- Durable metal hood protects motor from dust and debris
- Positive non-slip drill stop improves depth control
- Full range of spindle speeds, from 340 to 2,800 RPM
- Precision bearings for accurate drilling and long life
- Unique safety interrupter switch deactivates machine during a power outage and requires manual restart when power returns

Note: When wiring for 220 volt optional switch #MI-76370-70-220V is required

Specifications:

Motor:	1 HP, 110 / 220 V, 12.5 / 6.25 A	Spindle Speeds:	(12) 255 to 2,750 RPM
Drilling Capacity:	1" (21 mm)	Spindle / Chuck Taper:	MT3 / JT3
Chuck Size:	3/4" (19 mm)	Overall Height:	68" (1,730 mm)
Spindle Travel:	6" (152 mm)	Base Size:	11 3/4" x 19 5/8" (302 mm x 500 mm)
Table Size (Diameter):	14" x 14" (355 mm x 355 mm)	Swing:	16 15/16" (340 mm)
Column Diameter:	3 1/8" (79 mm)	Weight:	230 lbs (104 kg)

17" Electronic Variable Speed Drill Press (MI-76390)



Introducing the MI-76390, a drill press that combines production-grade quality and precision with the versatility of electronic variable speed. Along with electronic variable speed, the MI-76390 features the same rugged, heavy-duty components and extensive safety features you expect from Magnum Industrial. Electronic variable speed means you don't need to change belts to switch speeds. Simply select the right speed for your application and start drilling. The MI-76390 features a digital inverter that maintains full torque at every speed, so it's an efficient and accurate solution for drilling a variety of materials including wood, plastic, ceramic and metal—even hard metal, like stainless steel.

Features:

- Electronic variable speed delivers full torque at any speed
- Cast-iron 1 HP motor is fully enclosed
- 5/8" drill chuck offers 3/4 hole capacity steel and 1-1/4" in wood
- Extended table crank handle makes height adjustments easy
- Extra-long handles deliver top-notch feed control
- Rugged drill table includes built-in vise slots
- Positive non-slip drill stop improves depth control and doesn't slip
- Full range of spindle speeds from 250 to 3,200 RPM to drill wood, metal, plastic, ceramic and more
- Cast-iron pulleys reduce vibration
- Precision bearings for accurate drilling and long life
- Heavy-duty cast base provides a stable drilling platform
- Unique safety interrupter switch deactivates machine during a power outage and requires manual restart when power returns

**Electronic
Variable
Speed**

Specifications:

Motor:	1 HP, 110V, 1 PH	Spindle speeds:	250 to 3,200 RPM
Drilling capacity:	3/4" (19mm)	Spindle/chuck taper:	MT3 / JT3
Chuck size:	5/8" (16 mm)	Overall height:	68" (1,730 mm)
Spindle travel:	5-7/8" (150 mm)	Base size:	14" x 22-5/8" (355 x 600 mm)
Table size (diameter):	11-13/16" x 14-1/2" (300 x 370 mm)	Swing:	16-15/16" (430 mm)
Column diameter:	3-1/8" (79 mm)	Weight:	275 lbs (125 kg)

22" Floor Drill Press (MI-76450)



The Magnum Industrial 22" drill press is designed to deliver accuracy, power and a long service life. With its super-low 120 RPM cutting speed, it can cut through stainless and hardened steel, as well as a variety of other metals, wood and plastic. If you need a drill press that can handle the rigours of your shop, the MI-76450 has the features you need and the precision you expect. It's built for light and medium duty professional applications.

Features:

- Industrial 1 HP dual voltage motor is prewired 110V with metal hood to keep out debris
- Built-in work light with separate on/off switch
- Extra-long handles for better feed control
- Positive drill stop
- Full range of spindle speeds, from 120 to 2,270 RPM
- Double-wide spindle bearings and precision spindle reduce vibration during operation
- Super low speed, 120 RPM, for drilling stainless and hardened steel
- Unique safety interrupter switch deactivates machine during a power outage and requires manual restart when power returns

Note: When wiring for 220 volt optional switch #MI-76450-27-220 is required

Specifications:

Motor: 1 HP, 110 V, 14 A (220V-7A)
Drilling Capacity: 1 1/4" (32 mm)
Chuck Size: 3/4" (19 mm)
Spindle Travel: 4 1/2" (114 mm)
Table Size: 16 1/2" x 19"
Column Diameter: 3 7/8" (92 mm)

Spindle Speeds: (12) 120-2270 RPM
Spindle / Chuck Taper: MT4 / JT3
Overall Height: 68 3/4" (1746 mm)
Base Size: 19 1/2" x 22 1/2" (495 x 558 mm)
Swing: 22" (559 mm)
Weight: 380 lbs (171 kg)

**Laser Light
and Drill
Chuck Guard
w/ Lock Out Safety Feature
Included**

22" Electronic Variable Speed Drill Press With Tapping Feature (MI-76750)



The electronic variable speed of the MI-76750 Drill Press allows you to quickly and safely select the perfect speed for a the full range of materials you may need to drill without performing a belt change. Perfect for all applications: metal, wood, plastic, ceramics. The variable speed is accomplished with the new technology using digital inverter which maintains full torque even at the lower speeds when drilling hard metals such as stainless steel. Reduces burned and dulled drilled bits.

**Extra
Heavy-Duty
Design**

Features:

- Electronic variable speed for full torque at any speed
- Reverse tapping feature
- Extra heavy cast iron table support and column
- 2 HP 3 phase induction motor converted to operate on regular 220 volt single phase power for extra torque when needed
- Extra long 6" spindle stroke
- 3/4" precision chuck

Specifications:

Supply Voltage is 220 Volt Single Phase
Motor: 2 HP, 220V, 3 PH, 6.6A, 60 Hz
Type: Induction
Speed: 1,720 RPM
Swing: 22" (559 mm)
Spindle travel: 6" (152 mm)

Spindle taper: MT #3
Chuck size: 3/4" (19 mm)
Speed range: 150-2,250 RPM
Table size: 16-5/8" x 18-5/8" (422 x 203 mm)
Net weight: 507 lbs (230 kg)
General weight: 584 lbs (265 kg)

5/8" Heavy-Duty Mortiser (MI-77150)



Designed for light- to medium-duty production applications with either hard or soft wood, the MI-77150 5/8" Heavy-Duty Mortiser is versatile enough to deliver on custom projects and comes at a price that is sure to impress. Its head tilts up to 30° to allow the workpiece to remain level and secure on the table even when mortising on an angle. Heavy-duty cast-iron components ensure stable, vibration-free operation.

**Tilting
Head**

Features:

- 1/2 HP fan-cooled motor is totally enclosed for protection from dust and debris
- Head tilts up to 30° left or right for angled mortising and pivots up to 180° for off-table mortising
- Cast-iron head, column and base deliver stable, vibration-free operation
- Easy-to-adjust depth stops allow consistent, accurate mortising
- Extra-long, wide diameter handle provides leverage and control
- Gas cylinder controls stroke
- New manual clamp with solid-steel chromed hand wheel delivers smooth operation and securely holds even the smallest workpieces
- Includes four bit and chisel sets and 5/8" and 3/4" sleeves

Specifications:

Motor: 1/2 HP, 110V, 1 PH, 3.8A
Chuck capacity: 1/2" (13 mm)
Spindle speed: 1,720 RPM
Chisel capacity: 1/4" to 5/8" (6 to 16 mm)
Max chisel stroke: 9" (228 mm)
Fence size: 14-1/8" x 2-7/8" (360 x 73 mm)

Distance
fence to centre chisel: 4" (101 mm)
centre chisel to table: 6" to 9" (152 to 228 mm)
Table size: 13-1/2" x 9" (343 x 230 mm)
Base dimensions: 14-1/8" x 10-3/8" (360 x 265 mm)
Overall height: 29" (736 mm)
Weight: 106 lbs (48 kg)

1" Heavy-Duty Mortiser (MI-77200)

**Tilting
Head**



Optional accessory:
MI-99772 Stand



With a powerful 1 HP motor and heavy-duty cast-iron head, column and base, the MI-77200 1" Heavy-Duty Mortiser is designed for applications that demand precision and high-quality results — such as furniture making and cabinet production. Its head tilts up to 30° to allow the workpiece to remain level and secure on the table even when mortising on an angle. Heavy-duty cast-iron components ensure stable, vibration-free operation, providing leverage, accuracy and control on every stroke.

Features:

- 1 HP fan-cooled motor is totally enclosed for protection from dust and debris
- Head tilts up to 30° left or right for angled mortising
- Heavy-duty rack-and-gear reduces operator fatigue and delivers consistent, accurate results in production applications
- Cast-iron head, column and base deliver stable, vibration-free operation
- Solid steel chromed hand wheels allow smooth table adjustments
- Easy-to-adjust depth stops allow consistent, accurate mortising
- Extra-long, wide diameter handle provides leverage and control
- Gas cylinder controls stroke
- Includes four bit and chisel sets and 5/8" and 3/4" sleeves
- Optional deluxe stand (MI-99772) available to improve stability and optimize working height

Specifications:

Motor: 1 HP, 110/220V, 1 PH, 10A
Chuck capacity: 1/2" (13 mm)
Spindle speed: 1,720 RPM
Chisel capacity: 1/4" to 1" (6 to 26 mm)
Max chisel stroke: 8" (200 mm)
Fence size: 14-1/8" x 2-7/8" (360 x 73 mm)

Distance
fence to centre chisel: 3" (77 mm)
fence to centre chisel: 6-1/2" to 10-3/16" (165 to 259 mm)
Table size: 12-1/2" x 18" (318 x 458 mm)
Base dimensions: 12" x 12" (305 x 305 mm)
Overall height: 48-1/2" (1,232 mm)
Weight: 236 lbs (107.5 kg)

13 Spindle Boring Machine (MI-77400)



Designed for pro cabinet shops and made to deliver efficient and accurate results, the MI-77400 13 Spindle Boring Machine drills 13 holes in a single stroke, so you can produce holes for European-style adjustable shelves and accessory hardware. The MI-77400 comes loaded with time-saving features including handy work stops for boring consistent parallel patterns and indexing pins for aligning longer workpieces, like pantry doors or book shelves. Plus, with its heavy-duty construction and 1-1/2 HP motor, the MI-77400 is rugged enough to meet the demands of your shop.

Features:

- 1-1/2 HP motor powers through the toughest laminate and solid wood
- Built-in fence with work stops on each end allow precise repeat drilling on multiple work pieces
- Indexing pins provide consistent alignment and ensure accuracy when boring extra-long pieces
- Adjustable depth stops deliver consistent results and an efficient work flow
- Heavy-duty cast-iron construction meets the demands of professional cabinet manufacturers
- Long lever delivers effortless action and improved control
- Extra-wide floor stand provides stability and vibration-free operation
- Includes 5 mm boring bits with 10 mm shank
- Optional Blum-style hinge boring head (MI-99745) available

Specifications:

Motor: 1.5 HP, 110V, 1 PH, 12.6A
Chuck capacity: 1/2" (10 mm) shank
Spindle speed: 1,720 RPM
Chisel capacity: 1/4" to 1" (6 to 26 mm)
Max chisel stroke: 8" (200 mm)
Fence size: 14-1/8" x 2-7/8" (360 x 73 mm)

Distance
fence to centre chisel: 3" (77 mm)
centre chisel to table: 6-1/2" to 10-3/16" (165 to 259 mm)
Table size: 12-1/2" x 18" (318 x 458 mm)
Base dimensions: 12" x 12" (305 x 305 mm)
Overall height: 48-1/2" (1,232 mm)
Weight: 236 lbs (107.5 kg)



*Optional accessory:
 MI-99745 Blum-Style
 Boring Attachment*

Hinge Boring Machine (MI-77450)

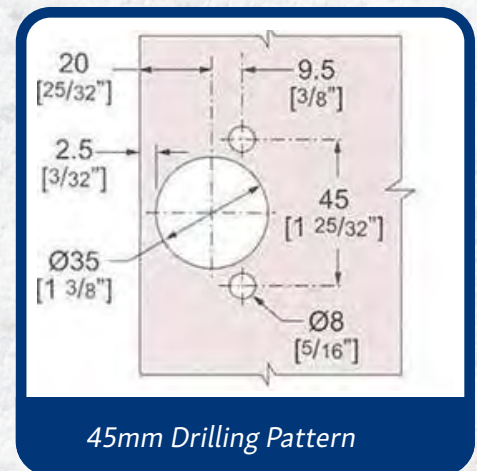


Powerful, sturdy and efficient, the MI-77450 Hinge Boring Machine saves you time when installing Blum-style hinges, drilling the 35 mm centre hole and both 8 mm screw holes in one stroke. Pre-drilling cabinet doors has never been easier!

**One Stroke
Pre-Drilling for
Blum-Style
Hinges**

Features:

- Powerful 1 HP motor drills through the toughest laminate and solid wood
- Long lever control for effortless action
- Precision work stops allow accurate repeat drilling on multiple work pieces
- Heavy-duty cast-iron construction meets the demands of professional cabinet manufacturers
- Extra-wide open steel stand provides stability and vibration-free operation
- Uses standard 10 mm shank chucks
- Includes one 35 mm carbide bit and two 8 mm carbide bits



Specifications:

Motor: 1 HP, 110V, 1 PH, 15A
Collet size: 3/8" (10 mm)
Spindle speed: 3,450 RPM
Hinge type: Blum-style
Max stock thickness: 5-1/2" (140 mm)
Fence size: 66-1/8" x 105-1/2"
 (1,680 x 2,680 mm)

Max depth of stroke: 4-5/8" (120 mm)
Max depth bit to fence: 3-1/2" (88 mm)
Table size: 31-1/2" x 23-5/8" (800 x 600 mm)
Base dimensions: 12" x 12" (305 x 305 mm)
Table height from floor: 33-1/4" (845 mm)
Weight: 210 lbs (95 kg)

6" Bench-Top Jointer (MI-81100)

**New
Model**

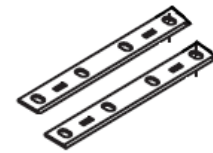


This model is our most basic affordable version with aluminum tables and straight blade HSS cutter head. The MI-81100 6" Bench-Top Jointer is ideal for small shops with occasional jointing projects. Just plug it into a 110 volt outlet and start jointing. Makes a great present, even when the shop has a larger jointer; this unit is great for small pieces.

**Extra Set
HSS Knives
Included**

Features:

- HSS straight blade cutter head
- Built-in dust collection outlet helps control loose chips and dust at the source
- Tilting fence allows smooth bevel cuts
- Includes CSA approved cutterhead guard



*Included accessory:
MI-99810 HSS knives
(extra set)*

Specifications:

Motor:	1 HP, 120V, 10A	Fence size:	4-1/4" x 19-5/8" (107 x 498 mm)
Cutterhead speed:	12,000 RPM	Dust outlet:	2-1/2" (63.5 mm)
HSS knives:	2	Base dimensions:	19-1/4" x 9-7/16" (488 x 240 mm)
Working height:	8-1/4" (210 mm)	Tool weight:	52 lbs (23kg)
Max. cutting width:	6" (152 mm)	Shipping weight:	55 lbs (25kg)
Max. cutting depth:	1/8" (3 mm)		

6" Benchtop Jointer — MI-81160

Carbide Helical Style Head Included

Jointing is an integral part of any woodworking project. These jointers offer the perfect solution where space may be a factor in your hobby shop or jobsite that requires a jointer. The MI-81160 has a powerful 120-volt, 10-amp motors and feature strong, durable cast iron tables. The spiral style cutterheads with 12 carbide inserts provide unparalleled sharpness and a lower noise volume than the straight knife cutterhead provides. The long, extended fence allows for a 90° to 135° tilt.

Features

- Cast iron table
- Spiral style cutterheads with 12 carbide inserts
- Extended fence
- Replacement 4 sided carbide inserts (MI-9932)



MI-9932 - Replacement 4 sided carbide inserts



**New Cast
Iron Tables**

Specifications

Motor:	120V, 60 Hz, AC Only, 10 Amp
Cutterhead diameter:	2" (50.8 mm)
Cutterhead speed:	12,000 RPM
Carbide knife inserts:	12
Maximum cutting capacity:	6" x 1/8" (152 x 3.2mm)
Fence size:	4-3/8" x 19-5/8" (111 x 498.5 mm)
Table size:	6-1/4 x 30" (158.8 x 762 mm)
Machine length:	30" (762 mm)
Machine depth:	17-1/4" (438.2 mm)
Machine height:	13-1/4" (336.6 mm)
Weight:	53 lbs (24 kg)
Shipping Weight:	60 lbs (27.21 kg)
Shipping Dimensions:	32 1/4"L x 12"W x 12"H

8" Bench-Top Jointer (MI-81180)

**Helical
Cutterhead w/
Double-Sided
Carbide Inserts**



Affordable, accurate, and durable, the Magnum Industrial MI-81180 bench-top 8" jointer combines the cutting capacity of a larger machine with the convenience of a bench-top model. Its 16 double-sided carbide inserts stay sharp and can handle a variety of wood types. The MI-81180 is perfect for light-duty jointing and straightening twisted boards around your home workshop.

Features:

- Helical cutterhead with double-sided carbide inserts requires no knife setting gauges
- Built-in dust collection outlet helps control loose chips and dust
- Tilting fence allows smooth bevel cuts
- Includes CSA-approved cutterhead guard

Specifications:

Motor:	1 HP, 120V, 12A	Fence length:	20" (508 mm)
Cutterhead speed:	12,000 RPM	Table size:	33-1/2" x 8" (850 mm x 203 mm)
Carbide inserts:	16 (14 mm x 14 mm x 2 mm)	Work surface:	30" x 6-1/8" (762 mm x 155 mm)
Max cutting depth:	8" (203 mm)	Dust outlet:	4" (101 mm) w/ 2" Reducer
Max cutting width:	1/8" (3 mm)	Weight:	62 lbs (28 kg)

8" Benchtop Jointer — MI-81190

Carbide Helical Style Head Included

Jointing is an integral part of any woodworking project. The MI-81190 jointer offers the perfect solution where space may be a factor in your hobby shop or jobsite that requires a jointer. The MI-81190 has a powerful 120-volt, 10-amp motors and feature strong, durable cast iron tables. Spiral style cutterheads with 16 sharp carbide four-sided inserts. These provide unparalleled sharpness and a lower noise volume than the straight knife cutterhead provides. The long, extended fence allows for a 90° to 135° tilt.

Features

- Cast iron table
- Spiral style cutterheads with 16 four-sided inserts
- Extended fence
- Extension roller
- Replacement 4 sided carbide inserts

Includes

- 2-1/2" dust port
- 4" adapter



MI-9932 - Replacement 4 sided carbide inserts



Specifications

Motor:	120V, 60 Hz, AC Only, 10 Amp
Cutterhead diameter:	2" (50.8 mm)
Cutterhead speed:	12,000 RPM
Carbide knife inserts:	16 (four-sided)
Maximum cutting capacity:	8" x 1/8" (203 x 3.2 mm)
Fence size:	4-3/8" x 24" (111.12 x 609.6 mm)
Table size:	8-1/8" x 30" (206.4 x 762 mm)
Table size w/extension:	8-1/8" x 52" (206.4 x 1320.8)
Machine length:	30" (762 mm)
Machine depth:	19-1/4" (489 mm)
Machine height:	13-1/4" (336.6 mm)
Weight:	55 lbs (24.94 kg)
Shipping Weight:	62 lbs (28.12 kg)
Shipping Dimensions:	36 1/4" L x 16"W x 12"H

6" Jointer (MI-81200, MI-81250)



Front-Mounted Handwheels for Smooth Bed Height Control

Features:

- Front-mounted handwheels fine-tune infeed and outfeed table height
- 55-1/4" precision-ground cast-iron jointer bed supports long workpieces
- Triple-blade cutterhead delivers clean, fast cuts (MI-81200)
- Helical cutterhead provides smooth, precise results (MI-81250)
- Centre-mounted fence has three pre-set positions for quick referencing
- Jack screw system simplifies knife set up
- Double positive locks set minimum and maximum table height
- 4" dust collection outlet allows efficient dust removal at source
- Includes two push blocks with onboard mounting brackets
- Keyed safety switch improves operator safety

Specifications:

Motor (Prewired 120V):	1 HP, 115/230V, 1 PH, 14/7A	Dust collection port:	4" (101.6 mm)
Max cutting width:	6" (152.4 mm)	Table size:	7-1/4" x 55-1/4" (184 x 1,397 mm)
Max cutting depth:	1/2" (12.7 mm)	Table height:	30-1/4" (768 mm)
Rabbeting capacity:	1/2" (12.7 mm)	Fence size:	32-3/8" x 4" (822 x 101.6 mm)
Cutterhead speed:	5,000 RPM	Base dimensions (L x W):	24" x 14" (609.6 x 355.6 mm)
Number of knives:	3 (MI-81200)	Weight:	249 lbs (113 kg)
Number of inserts:	16 (MI-81250)		

The Magnum Industrial MI-81200 6" jointer is an all-around woodworking workhorse made for production operations, educational facilities and serious home shops. It features front-mounted handwheels that dial in smooth, precise height adjustments and a triple-blade cutterhead that slices through all types of wood. The jointer also has precision-ground cast-iron beds that can support large workpieces — together the infeed and outfeed beds are 55-1/4" long. An asset for any shop, the MI-81200 brings together a proven design, quality components and top-notch manufacturing. Also available with helical cutterhead (MI-81250).



The MI-81250 comes equipped with a German-engineered helical cutterhead, preloaded with 16 double-sided carbide inserts (A)

The rectangular inserts (30 mm x 12 mm) are affixed with large set screws to prevent stripping, and require no torque setting tools (B)

8" Jointer with 73" Table (MI-81360)



Magnum Industrial's 8" jointer is tough enough for commercial applications—yet it's affordable enough for home workshops. Featuring a rugged 2 HP motor, a helical cutterhead with 22 carbide inserts, and an extra-long 73" ground cast-iron table, the Magnum 81-360 8" jointer is designed to deliver high-quality, accurate results in a range of applications.

**Helical
Cutterhead with
Quick-Change
Carbide Inserts**

- 2 HP motor powers through a variety of soft and hard woods
- Helical cutterhead holds 22 double-sided carbide inserts in four rows
- 73" x 8" parallelogram-style table is easy to adjust and align for accurate results
- Centre-mount fence features double keyways for added stability
- Rack-and-pinion fence adjustment allows for quick, precise adjustments
- Includes hand paddles and magnetic safety switch

Specifications:

Motor 1 (MI-81360): 2 HP, 220V, 1 Ph, 10 A
Cutterhead speed: 5,500 RPM
Carbide inserts: 22 (30 x 12 x 1.5 mm)
Max. cutting width: 8" (203 mm)
Max. cutting depth: 1/2" (13 mm)

Fence: 5" x 37" (127 x 940 mm)
Fence tilt: 0 to 45 degrees
Table: 73" x 8" (1,853 x 203 mm)
Dust outlet: 4" (102 mm)
Weight: 305 lbs (138 kg)

12" Long Bed Jointer (MI-81550, MI-81552)



The Magnum Industrial 12" Long Bed Jointer is designed with extra thick seasoned castings for stability. Our CNC mills precision grind the tables to offer the flattest and most accurate tolerances. Parrallelogram table adjustments are easy to adjust. Other features include the German designed Magnum helical carbide insert cutterhead.

**Magnum
Helical Head
w/Carbide
Inserts**

Features:

- Magnum helical head is a German designed system with rectangular double-sided carbide inserts that offers quick changeover with no special tools needed
- Lower decibels
- Long life carbide
- Less grain tear out on grainy material
- Magnetic safety switch
- Quick set fence tilt
- Quick adjust fence position
- CSA approved



Magnum helical cutterhead with reversible inserts

- Wider (30 mm) two-sided inserts provide greater cutting edge at a reduced cost
- 25% longer blade edge life for less frequent insert replacement
- 35% fewer blade inserts per head for faster, less expensive replacement and reduced downtime
- Ideal blade insert angle suited for both soft and hardwood applications while requiring less horse power to operate
- Unique insert locking system greatly minimizes grain tear-out and lines on the workpiece
- No special torque tools required — minimizing stripped screws and cracked inserts

Specifications:

Replacement carbide tips MI-99301 or DIM-L30T

Motor (MI-81550):	5 HP, 220V, 1 PH, 23A
Motor (MI-81552):	5 HP, 220V, 3 PH, 14A (suitable for 208V supply)
Max cutting depth:	12" (305 mm)
Max cutting width:	3/4" (19 mm)
Table:	12" (305 mm) x 84" (2,133 mm)
Table height:	32" (803 mm)
Fence:	47" x 5-1/2" (1,194 x 140 mm)

Tilt:	45° (front & rear)
Memory stops:	45°, 90°, 135°
Cutterhead speed:	5,000 RPM
Carbide inserts:	34
Diameter:	4" (101.6 mm)
Rebating capacity:	3/4" (19 mm)
Shipping weight:	910 lbs (413 kg)

10" Jointer (MI-81570)



**Cast Iron
Tables/Carbide
Tipped Helical
Head**

Bench top jointing has never been better for the hobbyist and small shop. The compact and powerful MI-81570 jointer is 10" wide and features an industrial-style helical head to ensure quiet and accurate finishes. The standard carbide tips ensure long life when processing hardwoods such as oak and maple. Cast iron precision tables are parallelogram with extra fine adjustments. In addition to the simple system of tip replacement these helical heads are very low decibel ratings. Extended table rollers can be adjusted for extra support when jointing longer pieces.

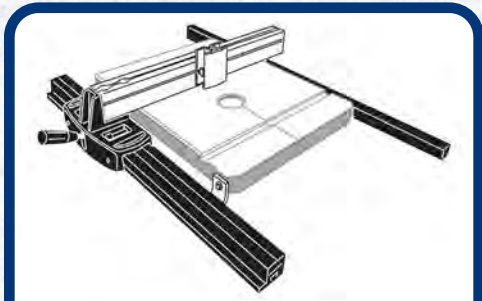
Specifications:

Motor:	120V, 60 Hz, AC only, 12A	Table dimensions with extended rollers:	10" x 53.5" (254 mm x 1,359 mm)
Motor speed:	19,000 RPM \pm 10% (no load)	Shipping dimensions:	36-3/8" x 17-3/8" x 13-1/8" (924 mm x 441 mm x 333 mm)
Max capacity:	10" x 1/8" (254 mm x 3.2 mm)	Machine length:	51" (1295.4 mm)
Cutterhead speed:	12,000 RPM	Machine depth:	22-1/4" (565 mm)
Cutterhead diameter:	2" (50.8 mm)	Machine height:	13-1/4" (330 mm)
Carbide knife inserts:	20 units	Weight:	73.4 lbs (33.3 kg)
Overall fence size:	4-3/8" x 24" (111 mm x 609.6 mm)	Shipping weight:	74 lbs (33.5 kg)
Table dimensions:	10" x 33.5" (254 mm x 851 mm)		

14" Wood Bandsaw (MI-91340)



The simple basic design of the MI-91340 Wood Bandsaw is a real workhorse with a bigger motor. It's a great addition for any custom hobby shop with a very affordable price range for a well-built machine. The bandsaw utilizes our most common standard bandsaw blade size.



MI-99900 Deluxe Fence sold separately

Features:

- Dual voltage 1.5 HP main motor can be wired 220 volt for extra power if re-sawing larger boards
- Dynamically balanced wheels ensure vibration free
- Standard easy to adjust guide system
- Heavy cast iron frame ensures vibration-free operation
- Large cast iron table
- 2-speed range for resaw or non-ferrous metal cutting
- Engineered dust collection ports for maximum efficiency
- Detachable cabinet

Specifications:

Motor:	1.5 HP, 120/240V, 10/5A, 60Hz	Table size:	16" x 16" (406 x 406 mm)
Motor speed:	1,630/2,730 RPM	Overall dimensions (L x W x H):	42" x 18" x 14" (1,067 x 457 x 355.6 mm)
Max cutting width:	13-5/8" (346 mm)	Packaging size (L x W x H):	45-1/4" x 22-7/8" x 16-1/4" (1,149 x 581 x 412.75 mm)
Max cutting height:	6" (152 mm)	Net weight:	170 lbs (77.1 kg)
Blade length:	93-1/2"	Gross weight:	183.2 lbs (83.1 kg)
Blade width:	1/8 x 3/4"		
Cutting speed:	2,275/1,345 FPM		
Table rotation:	0-15°L & 45°R		

14" Deluxe Bandsaw (MI-91350)



Whether you are buying your first bandsaw or looking to upgrade, the MI-91350 deluxe bandsaw offers performance and versatility at an outstanding price. Designed to meet the needs of small to medium shops, the MI-91350 is a two-speed all-around workhorse that's loaded with features including ball bearing guides, cast-aluminum wheels, cast-iron frame, and a deluxe fence system. Its dual voltage motor comes pre-wired for 120 volts, and can be rewired to run on 220 volts to deliver extra power for re-sawing large boards.

**Self-Aligning
Deluxe
Fence
System**

Features:

- Dynamically balanced cast-aluminum wheels and heavy cast-iron frame ensure vibration-free operation
- Ball bearing guide system is engineered to deliver smooth, precise cutting
- Quick-release blade tensioner provides consistent and correct tension
- Rack and pinion upper blade guide makes adjustments quick and easy
- Versatile 1 HP motor (pre-wired for 110 volts) can be wired for 220 volts to deliver added power for re-sawing larger boards
- Deluxe fence supports your workpiece and self aligns so you can match the track when re-sawing
- Keyed lock out mag switch protects motor from overload and improves security and operator safety

Specifications:

Motor: 1 HP, 110/220V, 1 PH, 10/5A
Max cutting depth: 6" (152 mm)
Max cutting width: 13.5" (343 mm)
Wheel size: 14" (355 mm)
Wheel speeds: 495 & 825 RPM
Blade speeds: 1,800 & 3,000 LFM
Blade width: 1/8" to 3/4" (3 mm to 19 mm)
Blade length: 93.5" (2,375 mm)

Dust collection outlets: 4" (101 mm)
Table size: 16" x 16" (406 mm x 406 mm)
Table tilt: 0° to 45° (right) 0° to 10° (left)
Table height: 42-3/4" (1,086 mm)
Overall dimensions (L x W x H):
19" x 33" x 75"
(483 mm x 838 mm x 1,905 mm)
Weight: 224 lbs (102 kg)

Deluxe 14" Wood Band Saw (MI-91400A)



**1.25 HP
Dual Voltage
Motor**

From ripping and resawing to detailed radius work, the Magnum Industrial Deluxe 14" Band Saw has the power and precision to tackle almost any application. With its fabricated European-style one-piece frame and laser-balanced cast iron wheels, this band saw is a steady and stable wood-cutting machine. It's equipped with all the features you're looking for, including sealed guide bearings, a quick-release tensioner, deluxe fence system and more. In addition, the MI-91400A's dual voltage motor has built-in thermal reset to prevent motor burnout. This band saw is an ideal for schools, small and medium production shops, and serious woodworking enthusiasts.

Features:

- European-style one-piece welded frame and dynamically balanced cast-iron wheels ensure vibration-free operation
- Sealed ball bearing guide system allows optional ceramic guides mounting
- Quick-release blade tensioner makes it easy to set the correct tension
- Two speed settings to handle a variety of cuts and stock
- Keyed lock-out switch provides added security
- Large 14" x 18" support table with cast-iron bracket offers a stable platform
- Engineered dust collection ports optimize debris removal
- Saw includes deluxe T-lock fence system with mitre gauge

Note: When changing to 220 Volt, order MI-91400A-168-2-220 Volt Reset Button



*Optional accessory:
MI-99914 Ceramic Guides*

Specifications:

Motor:	1.25 HP, 115V/220V	Blade length:	101" (2,565 mm)
Max. cutting depth:	7" (178 mm)	Table size:	14" x 18" (356 to 457 mm)
Max. cutting width:	13-5/8" (330 mm)	Table height:	44" (1,118 mm)
Wheel size:	14" (356 mm)	Dust outlet:	4" (100 mm)
Wheel speed:	625 / 885 RPM	Dimensions:	20" x 33" (508 x 838 mm)
Blade speed:	2,300 and 3,250 RPM	Weight:	86 / 89 kg
Blade width:	1/8" to 3/4" (3 to 19 mm)		

Deluxe Heavy-Duty 14" Wood Bandsaw (MI-91500)



With an impressive 12" resaw capacity and loads of safety features, the MI-91500 Wood Bandsaw is among the finest 14" bandsaws in our inventory. This heavy-duty saw features a dual voltage 1.5 horsepower motor, so you can connect it to a standard 110 volt outlet or run it on 220 volts for more torque — especially handy if resawing is your primary application. That versatility, along with its stable, one-piece frame and easy-to-set ball bearing guides, makes the MI-91500 the perfect choice for schools, small manufacturing shops and serious woodworking hobbyists.

Features:

- European-style one-piece solid welded frame and dynamically balanced cast-iron wheels ensure vibration-free operation
- Ball-bearing guide system is easy to set up and delivers smooth, accurate cutting
- Safety foot brake with electrical lock-out allows quick braking in an emergency
- Keyed lock-out mag switch provides added security
- Two speed settings deliver optimal control for a variety of applications
- 220V conversion kit is included for extra torque for resawing
- Cast-iron table, deluxe fence system and cast-iron mitre gauge offer stability and precision
- Two built-in dust collection ports provide excellent dust control

Specifications:

Motor:	1.5 HP, 110V/220V, 12.5A/7.2A, 1PH	Blade length:	112" (2,844 mm)
Max. cutting depth:	12" (304 mm)	Table size:	16" x 20" (406 to 504 mm)
Max. cutting width:	13.5" (342 mm)	Table height:	36.5" (927 mm)
Wheel size:	14" (356 mm)	Table tilt (right/left):	0° to 45° / 7°
Wheel speed:	588 RPM & 840 RPM	Dust outlets:	2 x 4" (100 mm)
Blade speed:	2,300 RPM & 3,250 RPM	Base dimensions:	25" x 15" (635 x 381 mm)
Blade width:	1/8" to 3/4" (3 to 19 mm)	Weight:	297 lbs (135 kg)

Elite Premium 14" Wood Bandsaw (MI-91520)



**Fully Loaded
for a Big Resaw
Capacity!**

With an upgraded motor and premium guides, the Magnum Industrial 14" Wood Bandsaw is a perfect choice for schools, small manufacturing, and serious hobbyists. This unit is a great option for resawing larger pieces and saving space in your shop. The new precision guides with narrow blades make fine scroll work simple. Considered the finest 14" bandsaw we offer, the MI-91520 is loaded with safety features.

- New 2.5 HP motor
- New precision guides include bearings & ceramic guides
- New multi-function rip fence
- New multi-function miter gauge



New multi-feature fence dual position includes resaw guide



New multi-feature miter gauge includes flip stop support



Deluxe blade guide includes ceramic guide option

Features:

- Quick-release blade tensioner
- One piece solid welded frame and dynamically balanced cast iron wheels ensure vibration-free operation
- Foot break with safety electrical lock-out allows quick braking in an emergency
- Large cast iron table
- Two speed range for resaw or non-ferrous metal cutting
- Engineered dust collection ports for maximum efficiency
- CSA approved

Specifications:

Motor:	2.5 HP, 220V, 11A, 1 PH	Blade length:	112" (2,845 mm)
Max cutting depth:	12" (305 mm)	Dust collection ports:	2x 4" (101.6 mm)
Max cutting width:	13.5" (343 mm)	Table size:	16" x 20" (406.4 x 508 mm)
Wheel speeds:	588 RPM & 840 RPM	Table tilt:	0° to 45° (right), 7° (left)
Blade speeds:	2,300 FPM & 3,250 FPM	Table height:	36.5" (927 mm)
Blade width:	1/8" to 3/4" (3 x 19 mm)	Weight:	297 lbs (134.7 kg)

18" 3-Speed Bandsaw (MI-91600)



The large Magnum Industrial MI-91600 bandsaw comes equipped with all the basic features and has a large capacity with a big horse power for a wide variety of applications. Easy to adjust ball-bearing guides and three speed ranges to choose from for fine scrolling or resaw with wider blades.

**Continuous
Duty 2.5 HP
Motor**

Features:

- Quick-release blade tension
- Easy to adjust, double-wide, all ball bearing guides
- Dynamically balanced cast iron wheels ensures the bandsaw is vibration-free
- One-piece solid welded frame ensures the bandsaw is vibration-free
- Large cast iron table
- 3 speed range for resaw or nonferrous metal cutting
- Safety mag switch for extra protection
- Deluxe fence system
- Engineered dust collection ports for maximum efficiency
- CSA approved

Specifications:

Motor: 2.5 HP, 220V, 1 PH
Max cutting depth: 12" (305 mm)
Max cutting width: 17-5/8" (448 mm)
Wheel diameter: 18" (457 mm)
Blade speeds: 1,480 & 2,300 & 3,260 FPM
Blade width: 1/8" to 1" (3.2 mm to 25 mm)
Blade length: 133" (3,378 mm)
Dust collection outlets: (2) 4" (102 mm)

Table size (incl. extension wing): 20" x 24" (508 mm x 610 mm)
Table tilt: 0° to 45° (right)
Table height: 38.5" (978 mm)
Overall dimensions (L x W x H): 101 cm x 78 cm x 194 cm
Weight: 386 lbs (175 kg)

18" Heavy-Duty Deluxe Bandsaw (MI-91650, MI-91652)



New

The heavy-duty deluxe Magnum Industrial bandsaw, with its big resaw capacity that accepts blades as wide as 1.5" down to 1/4", truly makes this unit special. Includes double wide bearing quick guide system with ceramic guide option. The MI-91650's high duty rating loaded with extra safety features makes this bandsaw a perfect choice for schools, small manufacturing, and serious hobbyists.

**Continuous
Duty 3 HP
Motor**

Features:

- Quick-release blade tension
- Hydraulic blade tension gauge for proper blade tension
- Dynamically balanced cast iron wheels ensure vibration-free
- Updated bearing guide system can be changed to ceramic guides (included)
- Foot break with safety electrical lock out for quick brake
- One-piece solid welded reinforced steel frame ensures vibration-free
- Large cast iron table with cast iron bracket and aluminum trunnions
- 2-speed range for resaw or non-ferrous metal-cutting
- Keyed lock-out magnetic switch for security
- Deluxe fence system
- Engineered dust collection ports for maximum efficiency
- CSA or equivalent certification



*Included: Deluxe
Blade Guide System*

Specifications:

Motor (MI-91650):	3 HP, 220V, 1 PH, 16A	Blade length:	143" (3,630 mm)
Motor (MI-91652):	3 HP, 220V, 3 PH, 9A (suitable for 208V supply)	Blade speeds:	2,800 / 3,950 FPM
Bandsaw size:	18" (457 mm)	Dust collection outlets:	(2) 4" (102 mm)
Throat capacity (left of blade):	17-5/8" (448 mm)	Table size:	20" x 24" (508 x 610 mm)
Max resaw height:	16" (406 mm)	Table tilt:	-5° to 45°
Blade capacity:	1/4" to 1-1/4" (6 to 32 mm)	Table height:	37.4" (950 mm)
		Machine weight:	180 kg
		Shipping weight:	220 kg

18" Heavy-Duty Deluxe Bandsaw (MI-91700)



With exceptional re-saw capacity and compatibility with blades as wide as 1-1/2", the Magnum Industrial MI-91700 18" Heavy-Duty Bandsaw is designed to meet the needs of mid-sized production shops, serious hobbyists and educational facilities.

**Continuous
Duty 3 HP
Motor**

Features:

- One-piece solid welded frame & dynamically balanced cast-iron wheels ensure vibration-free operation
- Ball bearing guide system is designed for smooth, accurate cutting
- Safety foot brake with electrical lock-out delivers quick braking in an emergency
- Keyed lock-out mag switch provides added security
- Two speed settings for re-sawing & non-ferrous metal cutting
- Large cast-iron table
- Deluxe fence system with cast-iron mitre gauge
- Built-in dust collection ports

Specifications:

Motor:	3 HP, 220V, 1 PH, 16A	Dust collection outlets:	(2) 4" (101 mm)
Max cutting depth:	16" (406 mm)	Table size:	20" x 24" (508 x 610 mm)
Max cutting width:	17" (432 mm)	Table tilt:	0° to 45° (right)
Wheel diameter:	18" (457 mm)	Table height:	37-3/8" (940 mm)
Wheel speeds:	500 & 840 RPM	Overall dimensions (L x W x H):	19" x 33" x 75" (635 x 381 x 1,905 mm)
Blade speeds:	2,820 & 3,936 LFM	Weight:	605 lbs (275 kg)
Blade width:	1/4" to 1-1/2" (6 to 38 mm)		
Blade length:	153" (3,900 mm)		

24" Heavy-Duty Deluxe Bandsaw (MI-91800, MI-91803)

New



The Magnum Industrial MI-91800/MI-91803 has a large capacity, with a heavy cast table and support trunnions. The 24" heavy-duty deluxe bandsaw will accept blades as wide as 1.5" down to 1/4". It is simple to set up double-wide bearing guides. This bandsaw, with a high duty rating loaded with extra safety features, is a good choice for advanced schools or small manufacturing and custom millwork shops for a variety of projects.

Features:

- Quick release blade tension
- Blade tension scale for proper blade tension
- Dynamically balanced cast iron wheels and one piece solid welded frame ensure vibration-free
- Updated bearing guide system
- Foot paddle braking system with safety electrical lockout for quick safety brake
- Large cast iron table
- Keyed lock out mag switch for security
- Deluxe fence system
- Cast iron miter gauge
- Engineered dust collection ports for max efficiency
- Rack and pinion table tilt mechanism
- CSA approved certification

Specifications:

Motor (MI-91800):	5 HP, 220/230V, 1 PH, 25A	Saw blade width:	1/4" to 1-1/2" (6 to 38 mm)
Motor (MI-91803):	7.5 HP, 220V, 3 PH, 22A (suitable for 208/230V supply)	Dust chutes (2):	4"
Cast iron wheel size:	25" (630 mm)	Blade guide:	Ball bearing
Cutting height:	16" (400 mm)	Driving belt:	A-type, 2 grooves
Max cutting width without fence:	24-1/2" (622 mm)	Cast iron fence:	1-1/4"W x 3-5/8"H
with fence:	22-1/2" (570 mm)	Table size:	33-1/2" x 23-5/8" x 2" (850 x 600 x 50 mm)
Saw blade length:	181" (4,600 mm)	Machine size:	47" x 29-1/2" x 81"
		Weight:	Net: 380 kg / Gross: 438 kg

14" Electronic Variable Speed Band Saw (MI-92100)



From solid steel to plastic and wood, the MI-92100 cuts it all. It's an "all-terrain" band saw with a digital inverter that provides electronic variable speed control and delivers full torque at slow speeds.

Designed primarily for ferrous and non-ferrous metal cutting, this unit is also capable of cutting wood and plastic. This versatility makes it ideal for professional handymen and handywomen, busy maintenance shops and serious home workshops.

Full Torque at Any Speed

- European-style one-piece solid welded frame and dynamically balanced cast-iron wheels ensure vibration-free operation
- Ball bearing guide system is engineered for smooth, accurate cutting
- Variable speed range for cutting ferrous and non-ferrous metal, wood or plastic
- Large cast-iron table
- Deluxe fence system with cast-iron mitre gauge
- Built-in dust collection ports
- Deflector shield protects tires

Specifications:

Motor:	1-1/4 HP, 220V, 1 Ph	Table size:	16" x 20" (406 x 508 mm)
Wheel size:	14" (355 mm)	Table tilt:	-10 to 45 degrees
Max. cutting depth:	12" (304 mm)	Table height:	36" (914 mm)
Max. cutting width:	13-1/2" (342 mm)	Dust outlets:	2 x 4" (101 mm)
Blade speed:	150 - 3,000 lfm	Base Dimensions:	25" x 15" (635 x 381 mm)
Blade width:	3/8" - 1" (9 - 25 mm)	Weight:	308 lbs (140 kg)
Blade length:	114" (2,895 mm)		

18" Metal/Wood Bandsaw (MI-92300, MI-92302)



The MI-92300 Metal/Wood Bandsaw is truly our all-terrain bandsaw. The digital inverter offers infinitely variable speed dial control and maintains full torque at slow speeds. Designed primarily for metal cutting, this unit is perfectly capable for all wood and plastic cutting applications. Perfect choice for the handyman and maintenance shops where a variety of materials need to be machined. CSA approved.

**Digital Inverter
for Full Torque at
Any Speed**

Features:

- Upgraded blade guides include bearing and ceramic guides
- Variable speed range for metal/wood/plastic cutting
- Dynamically balanced cast iron wheels and one-piece solid welded frame for vibration-free use
- All-ball-bearing guide system is engineered for our top design
- Deflector shield protects tires from iron filings
- Large cast iron table
- Keyed lock out mag switch for security
- Deluxe fence system
- Cast iron mitre gauge
- Engineered dust collection ports for maximum efficiency
- Quick release blade tension lever



Deluxe blade guide system comes with bearing and ceramic options included

Specifications:

Motor (MI-92300) - 2 HP, requires 220V Single Phase supply
Motor (MI-92302) - 2 HP, requires 208V Three Phase supply
Max cutting depth: 12" (305 mm)
Wheel diameter: 18" (457 mm)
Blade speeds: Variable 150 to 3,000 FPM
Blade width: 1/8" to 3/4" (3 to 19 mm)
Blade length: 133" (3,380 mm)

Throat capacity (left of blade):

Table size: 17-1/2" (445 mm)
Table tilt: 18" x 18" x 6" (457 x 457 x 150 mm)
Table height: 0° to 45°
Net weight: 37-1/2" (950 mm)
Gross weight: 297 lbs (135 kg)
Gross weight: 350 lbs (159 kg)

4" Portable Metal Cutting Band Saw (MI-93050)



For metal cutting projects in the shop or on the go, the Magnum Industrial MI-93050 4" portable band saw is a steady, reliable choice. It features a cast aluminum design that's light and compact, and its onboard vise makes setup fast and easy. Equipped with a 1/2 hp motor, this portable band saw can cut solid rod, angle iron, tubing and more. What's more, it locks into vertical position, so you can cut hand-fed curves and detailed patterns on the included worktable.

**Portable
Benchtop
Band Saw**

Features:

- Compact, portable cast aluminum design fits on a benchtop or transports to jobsites
- 1/2 HP motor delivers clean, precise cuts in solid rods, plates, bars, angle iron, and tubing
- Cuts metals hard and soft—from steel and cast iron to aluminum and brass
- Cutting head swivels for bevel cuts up to 45 degrees and locks in vertical position
- Onboard tray collects metal chips
- Easy-to-use vise secures materials
- Locks in vertical position with included work table for detailed hand-fed, scroll cutting
- Includes blade, vise, and vertical worktable

Specifications:

Motor:	1/2 HP, 110V, 1 Ph, 5 A	Bevel capacity:	0° to 45°
Cutting capacity (90°):	4" x 6" (rectangular stock)	Blade size:	57.75" x 1/2" x 0.025"
Cutting capacity (90°):	4" (round)	Blade speed:	177 FPM
Cutting capacity (45°):	3-1/4" x 4" (rectangular stock)	Vertical cutting table:	6-1/4" x 15-3/4"
Cutting capacity (45°):	3-1/4" (round)	Weight:	50.8 lbs (23 kg)

6" Metal-Cutting Bandsaw (MI-93100)



Mobile and compact, the Magnum Industrial MI-93100 6" Metal-Cutting Bandsaw operates in horizontal and vertical positions, so you can take on a range of metalworking projects with confidence. The band saw also offers three cutting speeds, making it easy to find the right speed for soft, non-ferrous metals and harder metals such as stainless and tool steel. This saw is ideal for mechanics, fabricators, farmers and anyone else who needs a reliable saw for medium-duty applications.

**Horizontal
& Vertical
Operation**

Features:

- Cuts in both horizontal and vertical positions to tackle a range of metal-cutting projects
- Three cutting speeds optimize cutting for different applications
- Auto shut-off switch powers down motor after each cut
- Adjustable spring tensioner allows you to control feed speed
- Rugged cast-iron bed provides a stable, vibration-free cutting platform
- Ergonomic blade tilt and tension knobs allow for easy adjustments
- Forged-steel vise features positive locks and can swivel 0° to 45° for accurate bevel cuts
- Ball bearing guides ensure smooth operation and precise cuts
- Onboard casters improve mobility
- Includes blade, heavy-duty stand and table for vertical cutting

Specifications:

Motor:	1/2 HP, 115V, 1 PH, 6A	Blade speeds (3):	80 / 120 / 200 FPM
Cutting capacity		Bevel capacity:	0° to 45°
at 90° (rectangular):	4" x 5-7/8" (101.6 x 149 mm)	Vertical cutting table:	7" x 8" (178 x 203 mm)
at 90° (round):	4-1/2" (114 mm)	Overall dimensions (L x W x H):	40-1/2" x 18" x 54-1/4"
at 45° (rectangular):	2-3/8" x 4-1/2" (60 x 114 mm)		(1,029 x 457 x 1,378 mm)
Blade size:	64-1/2" x 1/2" x 0.025"	Weight:	150 lbs (68 kg)
	(1,638 x 13 x 0.6 mm)		

7" x 12" Metal-Cutting Bandsaw (MI-93200)



The Magnum Industrial MI-93200 7" x 12" Metal-Cutting Bandsaw sets the standard for reliability and performance. This band saw is easy to operate and maintain, and its heavy-duty cast frame provides long-lasting performance in tough work environments. Features include vertical head locking with auxiliary table for vertical scroll cutting, built-in coolant pump, tank and recovery tray, heavy-duty wheels, and adjustable blade tension and guide bearings.

**4-Speed
Belt Drive**

Features:

- Powerful 1 HP motor with four speed settings handles a range of metals
- Heavy-duty cast frame provides long-lasting performance
- Locking head and removable auxiliary table facilitate precise vertical cutting
- Quick-lock vise secures workpiece when cutting angles
- Blade tension, guide bearings, and hydraulic downfeed control adjust easily
- Coolant system features built-in pump, tank and oil recovery tray and fine adjust hydraulic feed control
- Automatic shut-off
- Includes chip brush and safety guard

Specifications:

Motor (prewired 120V): 1 HP, 120/240V, 1 PH, 9/4.5A

Cutting capacity

at 90° (rectangular): 7" x 10-7/8" (180 x 275 mm)

at 90° (round): 7" (180 mm)

at 45° (rectangular): 4" x 7" (100 x 180 mm)

at 45° (round): 4" (100 mm)

Blade size: 3/4" x 0.035" x 93"

Blade speeds: 86, 132, 178 & 260 FPM

Base dimensions L x W: 51" x 20"

Overall dimensions (L x W x H):

49-1/4" x 27-1/8" x 40-3/4"

Weight: 350 lbs (150 kg)

7" x 12" Metal-Cutting Bandsaw (MI-93300)



The Magnum Industrial MI-93300 7" x 12" Metal-Cutting Bandsaw sets the standard for reliability and performance. This bandsaw is easy to operate and maintain, and changing speeds is hassle-free thanks to a three-speed quick-change gear box. The saw also has a heavy-duty cast frame that provides long-lasting performance in tough work environments. Other features include vertical head locking with auxiliary table for vertical scroll cutting; built-in coolant pump, tank and recovery tray; heavy-duty wheels; and adjustable blade tension and guide bearings.

**3-Speed
Quick-Change
Gear Drive**

Features:

- Powerful 1 HP motor with three speed settings
- Quick-change lever makes speed adjustments easy
- Heavy-duty cast frame provides long-lasting performance
- Locking head and removable auxiliary table facilitate precise vertical cutting
- Quick-lock vise secures workpiece when cutting angles
- Blade tension, guide bearings, and hydraulic downfeed control adjust easily to suit your project
- Coolant system features built-in pump, tank and oil recovery tray and fine adjust hydraulic feed control
- Automatic shut-off
- Includes chip brush and safety guard

Specifications:

Motor (Prewired 120V): 1 HP, 120/240V, 1 PH, 9/4.5A

Cutting capacity

- at 90° (rectangular): 7" x 12" (180 x 305 mm)
- at 90° (round): 7" (180 mm)
- at 45° (rectangular): 4" x 7" (100 x 180 mm)
- at 45° (round): 4" (100 mm)

Blade size:

3/4" x 0.035" x 93"

Blade speeds:

85, 145, 180 FPM

Base dimensions (L x W):

51" x 20"

Overall dimensions (L x W x H):

49-1/4" x 27-1/8" x 40-3/4"
(1,251 x 689 x 1,035 mm)

Weight:

330 lbs (150 kg)

7" x 12" Swivel Head Metal Cutting Band Saw (MI-93350)



A compact band saw with big capacity, the Magnum Industrial MI-93350 7" x 12" Metal-Cutting Band Saw with Swivel Head delivers the performance and versatility for any metal cutting application. With its convenient swivel head, this band saw makes it easy to cut angles in long pieces. Instead of pivoting the workpiece, the operator can pivot the MI-93350's saw head to make safer, more accurate cuts. This band saw is easy to operate and maintain, and changing speeds is hassle-free thanks to a three-speed quick-change gear box.

**Swivel Head
and 3-Speed
Quick-Change
Gear Drive**

- Powerful 1 HP motor with three speed settings
- Quick-change lever makes speed adjustments easy
- Heavy-duty cast frame provides long-lasting performance
- Swivel head pivots to cut angles in long pieces
- Quick-lock vise secures workpiece when cutting angles
- Blade tension, guide bearings, and hydraulic downfeed control adjust easily to suit your project
- Coolant system features built-in pump, tank and oil recovery tray and fine adjust hydraulic feed control
- Magnetic safety switch includes adjustable automatic shut-off switch
- Includes chip screen and safety guard

Specifications:

Motor (Prewired 115V): 1 HP, 60 hz, 1 Ph, 1,720 rpm
Cutting capacity
at 90° (Rectangular): 7" x 10" (180 x 250 mm)
at 90° (Round): 7" (180 mm)
at 45° (Rectangular): 4.7" x 4" (120 x 100 mm)
at 45° (Round): 4" (100 mm)

Blade size: 3/4" x 0.035" x 93"
Blade speeds: 125, 215, 270 fpm
Mitre scale: 0° - 45°
Auto settings: 0°, 15°, 30°, 45°
Weight: 396 lbs (180 kg)

9" x 16" Metal-Cutting Band Saw (MI-93400)



The Magnum Industrial MI-93400 9" x 16" metal-cutting band saw makes the cut with its large capacity and heavy-duty design. It's ideal for cutting pipe or solid steel. Reliable and easy to operate, this band saw has a heavy-duty cast frame and base that provides rigidity and long-lasting performance in tough work environments. Other features include built-in coolant pump, tank and recovery tray; heavy-duty wheels; and adjustable blade tension and guide bearings.

**4-Speed
Belt Drive**

Features:

- Powerful 1.5 HP motor with four speed settings
- Blade tension indicator makes blade changes quick and easy
- Precision ground and balanced cast-iron wheels
- Heavy-duty cast frame and base provide rigidity and long-lasting performance
- Quick-lock vise secures workpiece when cutting angles
- Blade tension, guide bearings, and hydraulic downfeed control adjust easily to suit your project
- Coolant system features built-in pump, tank and oil recovery tray, and fine adjust hydraulic feed control
- Magnetic safety switch includes adjustable automatic shut-off switch
- Includes chip brush and safety guard

Specifications:

Motor: 1.5 HP, 220V,* 1 PH, 1,725 RPM

Cutting capacity:
at 90° (Rectangular): 9" x 13-1/2" (228 x 343 mm)
at 90° (Rectangular): 1-1/2" x 16" (38 x 406 mm)
at 45° (Rectangular): 6-1/2" x 9" (165 x 228 mm)

Blade size: 1" x 0.032" x 119.5"
Blade speeds: 82, 132, 170, 235 FPM
Base dimensions (l x w): 67" x 30"
Weight: 650 lbs (295 kg)

**Compatible with 208 volt power supply*

10" x 18" Metal Cutting Bandsaw (MI-93500)



A metal cutting workhorse with big capacity and ample power, the Magnum Industrial MI-93500 10" x 18" Metal-Cutting Bandsaw is made for fabrication shops, manufacturing applications and schools. It's CSA approved, easy to use and maintain, and built to handle the day-to-day metal-cutting needs of a variety of workshops. Features include safety guard; onboard vise assembly; built-in coolant pump, tank and recovery tray; and adjustable blade tension and guide bearings.

**Durable
Saw with Big
Capacity**

Features:

- Powerful 2 HP motor with four-speed belt drive handles a range of metals
- Heavy-duty cast frame provides stability and long-lasting performance
- Durable, handwheel-operated vise secures workpiece when cutting angles
- Blade tension and guide bearings adjust easily to suit each project
- Coolant system features built-in pump, tank and oil recovery tray
- Automatic shut-off feature stops saw after each cut
- Overload protection prevents damage from excess amperage

Specifications:

Cutting capacity

at 90° (rectangular):	10" x 16" (250 x 415 mm)
at 90° (round):	10" (250 mm)
at 45° (rectangular):	10" x 7.5" (250 x 190 mm)
at 45° (round):	7.5" (190 mm)
flat steel:	8" x 18" (200 x 450 mm)

Blade size:	1" x 0.035" x 130"
Blade speeds:	82, 131, 167, 232 FPM
Motor:	2 HP, 60 Hz, 220V,* 1 PH, 1,725 RPM
Dimensions:	68" x 30" (1,730 x 760 mm)
Weight:	706 lbs (320 kg)

*Compatible with 208 volt power supply

10" x 16" Swivel Head Metal-Cutting Bandsaw (MI-93650)



With the power and versatility to efficiently tackle any metal-cutting project, the MI-93650 metal-cutting bandsaw with swivel head offers big capacity and deluxe features including variable blade speed control, power-assisted semi-automatic blade return, swivel-mounted cutting head and more. This metal bandsaw is designed to provide top-level performance to fabrication and manufacturing shops, schools and other education facilities. It's CSA approved, easy to use and maintain, and built to stand up to day-to-day demands in production settings.

Features:

- Powerful 2 HP motor with variable-speed gearbox
- Blade speeds adjust from 82 to 259 feet per minute
- Heavy-duty cast frame provides stability and long-lasting performance
- Swivel head pivots to safely and accurately cut angles in long pieces
- Semi-automatic power lift returns blade to ready position between cuts
- Durable, handwheel-operated vise secures workpiece when cutting angles
- Blade tension and guide bearings adjust easily to suit each project
- Coolant system features built-in pump, tank and oil recovery tray
- Automatic shut-off feature stops saw after each cut
- Overload protection prevents damage from excess amperage



Specifications:

MI-93652 2 HP 208 Volt Three Phase
MI-93650 2 HP 208/220 Volt Single Phase

Cutting capacity

at 90° (Rectangular):	10" x 15" (250 x 385 mm)
at 90° (Round):	10" (250 mm)
at 45° (Rectangular):	10" x 8.5" (250 x 215 mm)
at 45° (Round):	8.5" (215 mm)
Flat steel:	10" x 16" (250 x 400 mm)

Blade size:	1" x 0.035" x 130"
Blade speeds:	82 to 259 feet per minute
Motor:	2 HP, 220V, * 1 PH, 1,725 RPM
Dimensions:	74" x 30"
Weight:	992 lbs (450 kg)

*Compatible with 208 volt power supply

Deluxe Metal-Cutting Bandsaw (MI-93850)



The MI-93850 Deluxe Metal-Cutting Bandsaw includes a dual left and right mitering head, a semi-automatic feature which raises the machine head back to a ready position, and includes a digital readout diagnostic interface control center. The speed range and feed rate is variable, allowing the worker to quickly select the best speed for the application on hand. Pneumatic clamping.

**Semi-Auto,
Variable Speed,
Dual Mitre
Swivel Head**

Features:

- Advance operation system interface for easy operations includes 10 different error codes with troubleshooting solutions
- Dual position mitering head
- Variable blade speed
- Variable feed rate can be adjusted to go fast through free air and slow during cut to save production time
- Extra large capacity
- Auto return head position
- Linear guides for tight and vibration-free adjustments
- CSA approved



Specifications:

Blade motor:	5 HP (3.7 kW)	Coolant tank:	75 L
Hydraulic motor:	1 HP (0.75 kW)	Blade speeds:	32 to 96 MPM
Coolant pump:	1/6 HP (0.12 kW)	Blade size:	1.6" x 0.05" x 220" (41 x 1.3 x 5,600 mm)
Capacity (H x W):	90° (460 mm, 460 x 460 mm, 440 x 600 mm) L/R 45° (445 mm, 445 x 445 mm) L/R 60° (295 mm, 295 x 295 mm)	Table height:	36" (922 mm)
Hydraulic tank:	30 L	Machine size:	114" x 63" x 66" (2,900 x 1,600 x 1,680 mm)
		Net weight:	3,219 lbs (1,460 kg)

Turret Style Milling Drilling Machine (MI-94300)



The Magnum Industrial MI-94300 Milling Drilling Machine is a custom machine for precision milling and drilling applications.

Features:

- Power feed attachment can be mounted on X or Y axis
- Coolant system
- Emergency stop
- Tilting head
- Includes 3/4" chuck and face cutter, with vertical table travel feature

Specifications:

Motor:	2 HP, 220V, 1 PH, 12A	Max longitudinal travel:	14-1/2" (370 mm)
Vertical spindle nose taper:	MT3 or R-8 or NT30	Max cross travel:	6" (150 mm)
Chuck:	3/4" (19 mm)	Vertical spindle travel:	3" (75 mm)
Vertical spindle speed:	9 speeds: 230-2,500 RPM	Vertical table travel:	14-3/4" (345 mm)
Lead screw:	1" x 8 TPI or 3 mm pitch	Vertical spindle to table surface:	0" to 13" (0 to 345 mm)
Vertical head tilt:	90° R/L	Working table surface:	6" x 26" (152 x 600 mm)
Ram swivel:	360°	Net weight:	573 lbs (260 kg)
T-slots size (number):	3/8" x 3" (9.5 mm x 76 mm)		

Turret Style Milling Drilling Machine (MI-94500)



The Magnum Industrial MI-94500 Milling Drilling Machine is a custom machine for precision milling and drilling applications.

Features:

- Variable speed
- Power feed attachment can be mounted on X or Y axis
- Coolant system
- Emergency stop
- Tilting head
- Power transfer: Variable frequency V-belt drive
- Shielded and lubricated ball bearings
- Cast iron table, base, and head
- Includes 3/4" chuck and face cutter, with vertical table travel feature

Specifications:

Motor: 2 HP, 220V, 3 PH, 5A
 With inverter to operate on standard 220V single phase

Cycle/RPM: 60 Hz/1,725 RPM

Range of speeds: 200-2,250 RPM

Spindle travel: 3-1/2" (89 mm)

Spindle taper: R-8

Vertical head tilt: 90° R/L

Column swivel: 90° R/L

Knee travel (Z): 17-3/4" (451 mm)

Max distance, spindle to table: 20" (508 mm)

Swing: 7-1/2" (190.5 mm)

Table travel, longitudinal (X): 18" (457 mm)

Table travel, cross (Y): 7-3/4" (197 mm)

T-slots (# & size): 3x 2-3/16" (55.5 mm) centers, 3/8" (9.5 mm) studs

Height: 67" (1,702 mm)

Width (with handwheels on): 40-1/2" (1,029 mm)

Depth: 42-3/4" (1,086 mm)

Table size: 8" x 30" (203 x 762 mm)

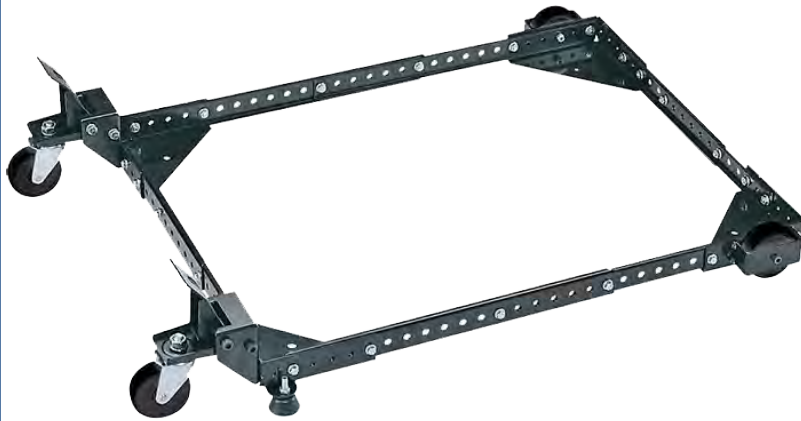
Crate size: 45" x 45" x 76" (1,143 x 1,143 x 1,930 mm)

Foot print: 19" x 26" (483 x 660 mm)

Shipping weight: 1,101 lbs (499.4 kg)

Net weight: 991 lbs (449.5 kg)

Universal Mobile Base (MI-99001)



This universal mobile base makes it easy to reposition machinery around your shop, so you can quickly set up an efficient workflow for any job and keep seldom used machinery out of the way until you need it again. The MI-99001 mobile base supports up to 550 lbs and comes standard with many time-saving features.

**550 lb
Capacity**

Features:

- Two heavy-duty swivel casters provide excellent mobility
- Two hard rubber wheels handle full-size machinery without developing flat spots
- Caster locks are toggled easily with super-convenient kick-down levers
- Leveling feet absorb vibration when casters are retracted
- Includes extensions to fit a wide range of common base sizes

Specifications:

Max load:	550 lbs (250 kg)	Size range for machinery
Size range for machinery		w/rectangular bases: 17" x 11" to 51" x 19"
w/square bases:	11" x 11" to 35-1/4" x 35-1/4" (279 x 279 mm to 895 x 895 mm)	(431 x 279 mm to 1,295 x 482 mm)

Tenoning Jigs (MI-99005, MI-99004)



MI-99005: Tenon Cast Iron Jig

MI-99004: Tenon Lightweight Aluminum Jig

A jig can help you complete repetitive tasks faster and more accurately. Both jigs tilt to 45°, which means you can perform precision mitre cuts as well as tenon joints safely with either jig. Workpiece is clamped securely while performing precision cuts. Because it helps you make precise mitre cuts and tenon joints on your table saw, Magnum Industrial's tenoning jig is a must-have addition for any woodworking shop.

A Precise & Stable Jig That Makes Your Work Easier

Features:

- Clamp arm tilts to 45° so you can make a range of mitre cuts and tenon joints
- Clamp pivots to allow quick setup on small pieces
- Clamp and handle are reversible to fit both left and right tilt table saws
- Extra-large cast base with ball bearing detents in guide bar provide a stable platform and smooth operation
- Fits standard 3/8" x 3/4" mitre slots

MI-99005: Tenon Cast Iron Jig

- Reversible: can be used on left side or side of saw blade

MI-99004: Tenon Lightweight Aluminum Jig

Specifications:

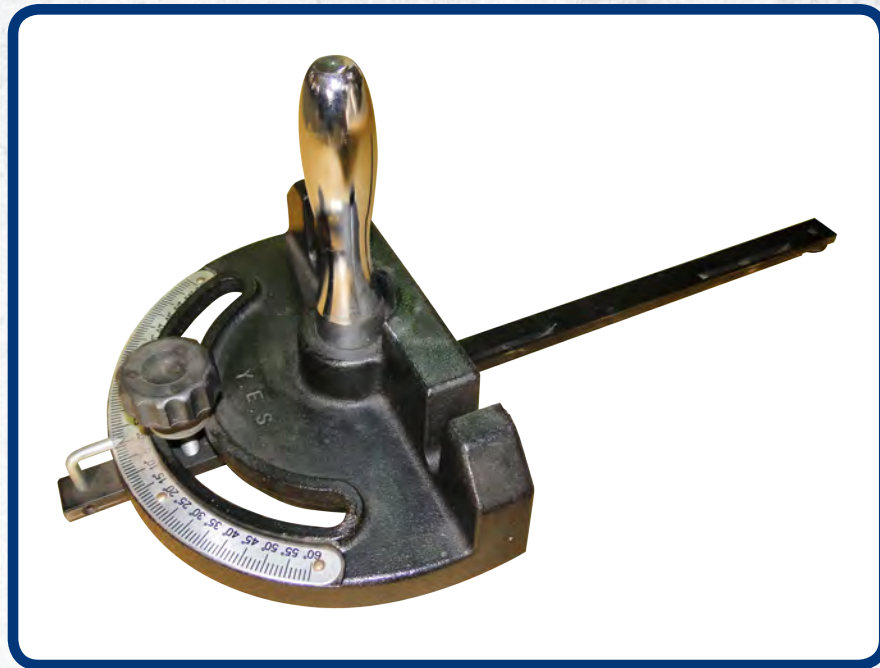
Stroke: 2.5" (64 mm)
Tilt: 90° to 45°
Vertical tilt: 90° to 30°

Max workpiece thickness: 3" (77 mm)
Weight (MI-99005): 25 lbs (11 kg)
Weight (MI-99004): 10 lbs (4.5 kg)

Typical Samples



Cast-Iron Mitre Gauge (MI-99015)



Features:

- *Burly cast-iron design with ergonomic handle delivers excellent control*
- *Precise scale with 1 degree increments is accurate and easy to read*
- *Expansion slots in slide bar allow for tight operation, even in worn-out mitre gauge slots*
- *Includes removable T-slot guide ring*
- *Standard 3/4" (19 mm) slide bar fits most stationary table saws*

Specifications:

Mitre Capacity:	60 degrees (left/right)
Steel Slide Bar:	3/4" (19 mm)
T-Slot:	29/32" (23 mm)



Extendable, flexible and adjustable, the Magnum Industrial Roller Tables are like an extra set of hands in your shop. Transport lumber from one machine to another. Support heavy planks or wide sheets when feeding your table saw, planer or band saw. These roller tables adjust to align with almost any woodworking machine. They're flexible, so you can work around corners, and can be interconnected so you can handle longer and wider sheet goods more efficiently.

**250 lb
or 500 lb
Capacities**

Roller Table (MI-99020)

Features:

- Table adjusts from 23" to 36" high to align with a variety of woodworking machinery
- Table width expands from 14 3/4" to 50" to handle lumber and plywood
- Flexes, curves and connects with multiple Magnum Industrial roller tables for efficient feeding—even around corners
- Nickel-plated rollers provide durability and smooth operation
- Four lockable wheels allow for mobility and stability
- 250 lb capacity

Heavy-Duty Roller Table (MI-99021)

Features:

- Table adjusts from 24 1/4" to 37" high to align with a variety of woodworking machinery
- Table width expands from 21 1/4" to 51.5" to handle lumber and plywood
- Split rollers allow side-by-side two direction feeding
- Flexes, curves and connects with multiple Magnum Industrial roller tables for efficient feeding—even around corners
- Nickel-plated rollers provide durability and smooth operation
- Four lockable wheels allow for mobility and stability
- 500 lb capacity

Deluxe Pen Press — MI-99260

**Assemble &
Disassemble
Pens**



Assemble and disassemble pens with Magnum Industrial's all-in-one deluxe pen press. Like a conventional pen press, it assembles pens with control and precision. Thanks to its advanced design, this press also disassembles almost any pen with ease.

Upgrade your pen turning setup today with the Magnum Industrial all-in-one deluxe pen press.

- Advanced design makes it easy to assemble or disassemble pens with precision
- Sturdy arm features rubber handle for comfort and a secure grip
- On-board rack stores extra punch rods and spring-loaded press head

Includes the following components:

- Deluxe pen press
- Six push rods (3.0 mm, 5.5 mm, 6.0 mm, 7.0 mm, 8.5 mm and 9.0 mm)
- Disassembly tube
- Disassembly bushing (7.0 mm)
- Two conventional press heads
- Spring-loaded press head

Wood Lathe Safety Guard — MI-99265

Make wood turning safer with the Magnum Industrial Wood Lathe Safety Guard. It protects against flying wood chips and splinters, broken tools, dust and more. The guard fits most lathes (some drilling may be required) and its adjustable column makes it easy to find the right height. Also convenient are the guard's two Plexiglass shields that flip up and out of the way when you need to access the bed.

Features

- Protects against flying wood chips and splinters, broken tools, dust and more
- Adjusts to fit most wood turning lathes
- Guard shields flip up for easy access to lathe
- Doesn't interfere with turning tools
- Installs easily on the lathe bed

**Protects
Against
Flying
Chips and
Splinters**



Specifications

Length:	43.5"
Width:	28"
Height:	27"
Weight:	20 lbs

T-Lock Fence Kit (MI-99500 & MI-99501)

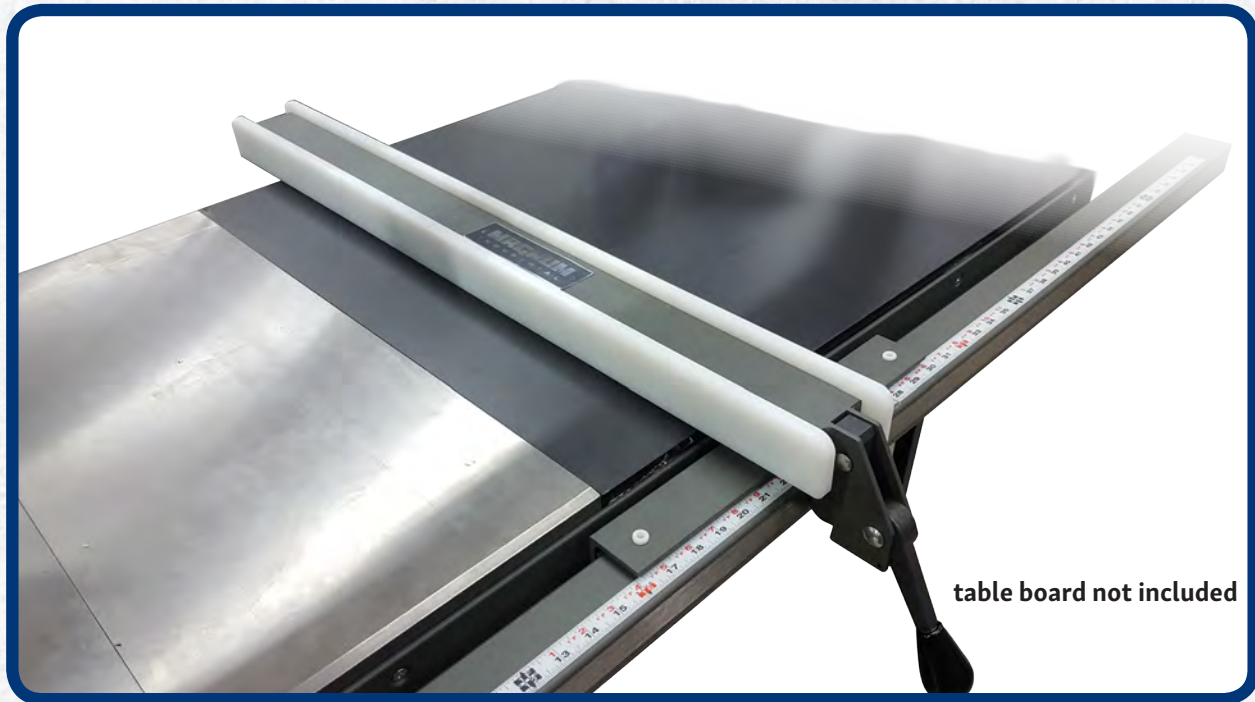


table board not included

MI-99500 - 32" Short Rail
MI-99501 - 50" Long Rail

**With
32" or 50"
Rail**

Features:

- *T-Square design offers self-aligning accuracy*
- *Positive locking mechanism*
- *Ultra-high-molecular-weight polyethylene (UHMW)*
- *Quick-change fence faces*
- *Fully adjustable for parallel positioning*
- *Includes front & rear mounting rails, mounting hardware*
- *32" or 50" right-side cutting capacity*
- *12" left-side ripping capacity*

MagnaLock Deluxe Fence Kit (MI-99502)



**With
52"
Rail**

Features:

- *Industrial-grade durability for commercial cabinet makers*
- *Self-aligning accuracy*
- *Large independent aluminum fence face is adjustable front to back and reversible for left- or right-tilt saws*
- *Super-fine adjustments deliver incredible accuracy*
- *Extra-large bars and rails add provide excellent stability*
- *Includes front & back mounting rails, mounting hardware and deluxe push stick*
- *52" right-side cutting capacity*
- *24" left-side ripping capacity*

Angular Mitre Gauge (MI-99520)

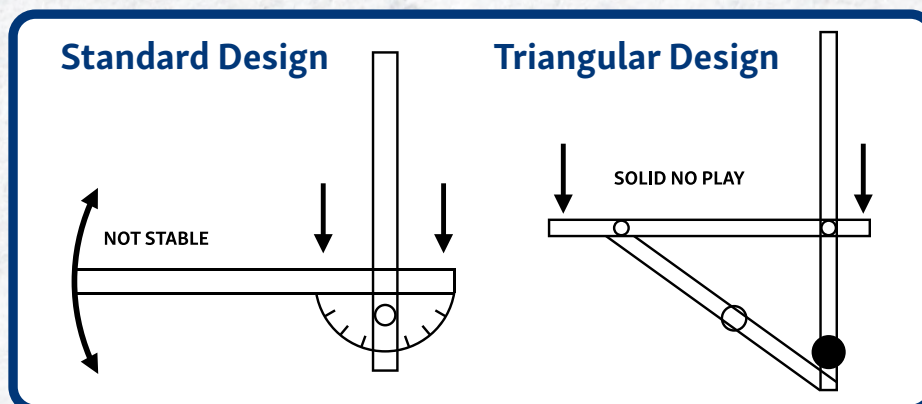


The redesigned Magnum Industrial MI-99520 angular mitre gauge features a triangular design that adds support and eliminates the play that can affect the accuracy of traditional mitre gauges. The MI-99520 is built to our specs to help you make precise, repeatable cuts in professional production settings. It is also equipped with an adjustable wing that extends up to 42" — ideal for precision framing projects. Plus, its stop flips out of the way so you can quickly and safely handle everything from small pieces to large panels.

**Triangular
Design
Adds
Support**

Features:

- Telescoping wing extends to 42", providing additional support
- Anti-slip fence face keeps material in place
- Expandable guide bar helps eliminate play
- Indexed graduations and automatic stops for popular angles make setup easy
- Fence body adjusts left and right to fully support saw blade and reduce clearance
- Reversible design compatible with left- or right-hand tilt saws and most mitre slots
- Weighs only 7.9 lbs



Precision Mitre Gauge with Fence (MI-99525)



This precision mitre gauge includes a built-in aluminum fence, flip stop and seven positive stops (0°, 22.5°, 30°, 45°, 60°, 67.5° and 90°) so you can make accurate, repeatable cuts safely and easily. The MI-99525 fits both standard mitre slots and T-slot tracks, thanks to its removable T-slot wheel. In addition, the mitre bar comes equipped with spring-loaded detents to keep the gauge snug in older, well-used mitre slots.



- Fits standard mitre slots (3/4" x 3/8") and T-track slots
- Positive stops (0°, 22.5°, 30°, 45°, 60°, 67.5° and 90°) make it easy to cut precise mitres
- Adjustable spring-loaded detents in slide bar keeps the mitre gauge tight in older, well-used slots
- Rugged aluminum fence with built-in flip stop helps you make repeatable cuts faster and more accurately
- Fence features a large face for added stability and support

Specifications:

Mitre slot bar dimensions (L x W x D):	17.72" x 3/4" x 3/8" (450 mm x 19 mm x 9.5 mm)
Aluminum fence dimensions (L x W x H):	17.72" x 1.4" x 2.28" (450 mm x 35.5 mm x 58 mm)
T-slot wheel:	0.9" (23 mm)
Positive stops:	0°, 22.5°, 30°, 45°, 60°, 67.5° and 90°
Scale increments:	Metric and inches
Weight:	1.2 lbs (0.54 kg)

30" Deluxe Router Table Fence (MI-99535)



This fence fits the MI-51180 table saw package but can be used to enhance your home-made router table by utilizing the standard T slot bolts for mounting.

**One Piece,
Solid,
Anodized
Aluminum
Body**

Features:

- One piece solid anodized aluminum body
- Laminated fence faces
- Independently positioned fence faces slide side to side
- Locking knobs
- 30" long (780 mm) wide fence face for good workpiece support
- 2 ½" (63 mm) dust outlet
- Safety shield protects worker from flying chips
- Inch/metric scale

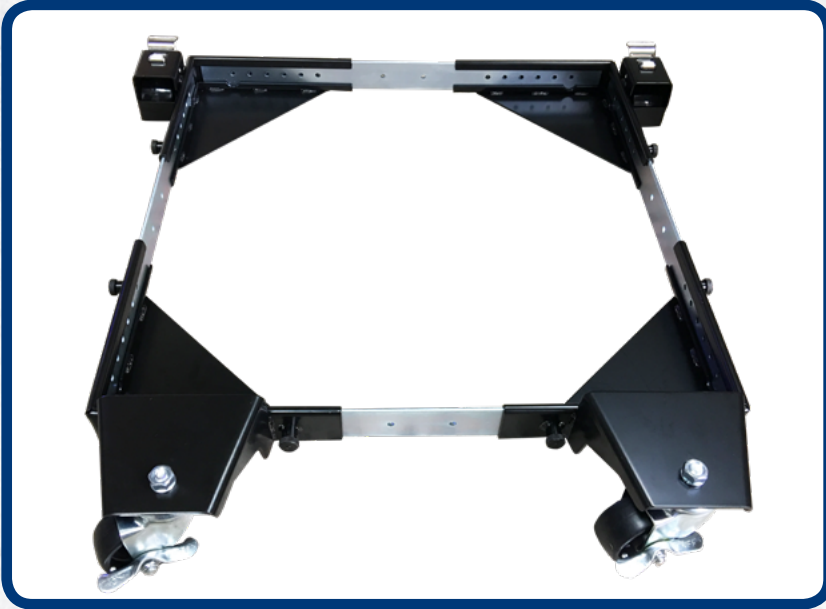
Specifications:

Length: 30 inches (780 mm)

Material: Anodized Aluminum Body

Dust Outlet: 2 ½" (63 mm)

Universal Heavy-Duty Mobile Base (MI-99590)



**1,250 lb
Capacity**

Features:

- Quick click adjustments for sizing, no wrenches or tools needed.
- Convenient kick down levers activates the casters.
- Heavy-duty hard wheels with swivel casters prevents flat spots on wheels.

Specifications:

Maximum Load:	1,250 lbs (567 kgs)
Minimum Length:	23.7" (601mm)
Maximum Length:	34" (865 mm)
Adjustment Segment:	1" (25.4 mm)

Optional Outrigger Attachment (MI-99591)



Features:

- Attachment fits to above base to support table saw extension legs.
- Fully expendable to adjust to your saw specs.

Universal Bandsaw Fences (MI-99900, MI-99901, MI-99902)

Upgrade or improve your existing bandsaw with this great add-on.



Features:

- Powder-coated anodized aluminum
- Includes front and rear rails
- Utilizes ball bearing guides to ensure smooth and accurate adjustments
- Includes re-saw guide

MI-99900

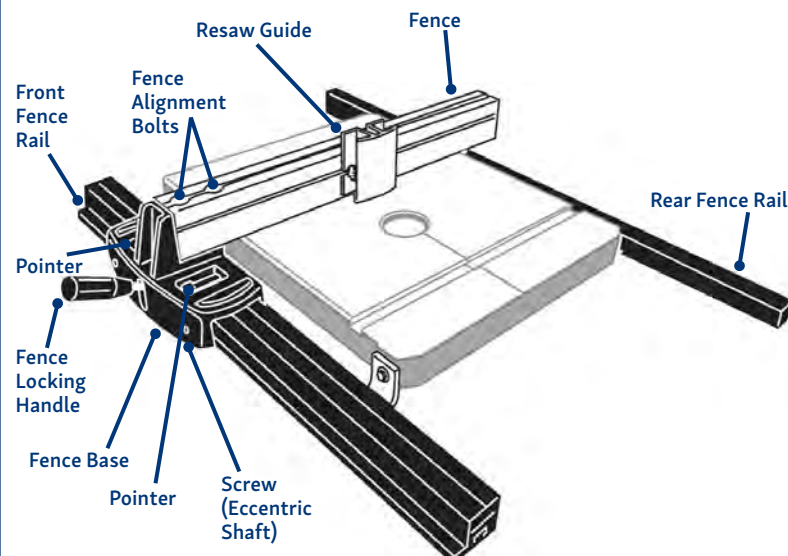
Specifications

Fits most 12-15" bandsaws

Fence: 21" (533 mm)

Front rail: 29" (736.6 mm)

Rear Rail: 25-3/4" (654 mm)



MI-99901

Specifications

Fits most 12-15" bandsaws

Fence: 25" (635 mm)

Front rail: 29" (736.6 mm)

Rear Rail: 25-3/4" (654 mm)

MI-99902

Specifications

Fits most 15-24" bandsaws

Fence: 28" (711 mm)

Front rail: 34" (863.6 mm)

Rear Rail: 34" (863.6 mm)